

NXB-125G Miniature circuit breaker

1. Compliant standards

IEC/EN60898-1

2. Compliant certification

CE

3. Major function

Overload protection, short circuit protection, positive isolation

4. Technical parameters

Rated current: 63A, 80A, 100A(1P, 2P, 3P, 4P), 125A(1P, 2P) ;

Rated voltage: 230V ~ (1P), 400V~ (2P, 3P, 4P);

Frequency: 50/60Hz

Thermal magnetic release: B curve (3-5In), C curve (5-10In), D curve(10-14In), OV curve (14-20In, the OV curve is only available in 3P 80A);

Number of poles: 1P, 2P, 3P, 4P;

Mechanical life: 20000 cycles;

Electrical life: 6000 cycles (In≤100A); 4000 cycles (In > 100A);

Rated short-circuit breaking capacity(Icn): 10kA;

Short-circuit breaking capacity(Ics): 7.5kA;

Rated impulse withstand voltage(Uimp): 4kV;

Power consumption on each pole of the circuit breaker: see Table 1.

Table 1

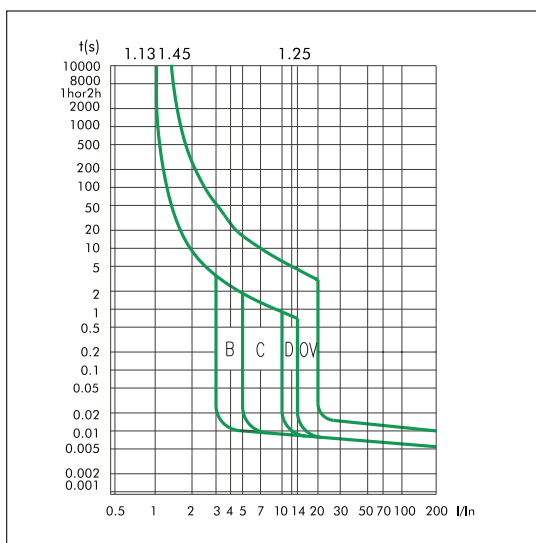
| Rated current In (A) | Maximum power consumption per pole (W) |
|----------------------|--|
| 63 | 5 |
| 80 | 7 |
| 100 | 10 |
| 125 | 14 |

Temperature derating see table 2

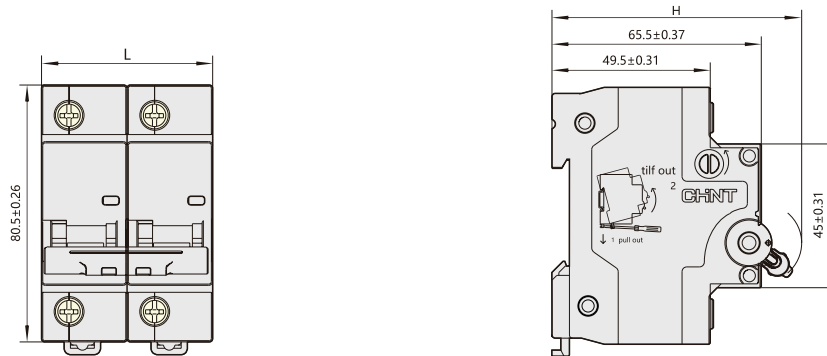
Table 2

| Ambient temperature(°C) | -35 | -20 | -10 | 0 | 10 | 20 | 30 | 40 | 50 | 60 | 70 |
|-------------------------|------|------|------|-----|------|------|----|------|------|------|------|
| Rated current(A) | 1.43 | 1.33 | 1.26 | 1.2 | 1.14 | 1.07 | 1 | 0.93 | 0.87 | 0.81 | 0.74 |

5. Tripping Curve



6. Dimensions and installation sizes



| | 1P | 2P | 3P | 4P |
|-------|------------------------------------|------------------------------------|------------------------------------|------------------------------------|
| L(mm) | 27 ⁰ _{-0.52} | 54 ⁰ _{-0.74} | 81 ⁰ _{-1.40} | 108 ⁰ _{-1.40} |
| H(mm) | 75.5 ⁰ _{-1.20} | 78.5 ⁰ _{-1.20} | 78.5 ⁰ _{-1.20} | 78.5 ⁰ _{-1.20} |