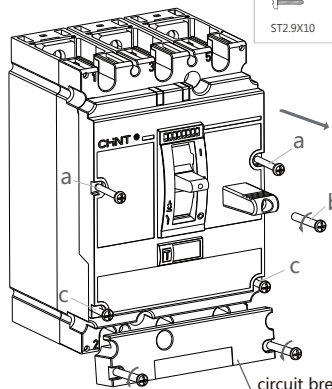


In order to protect the environment, when the product or its components are scrapped, please dispose of it as industrial waste, or hand it over to the recycling station for disaggregation, recycling and reuse according to relevant national regulations

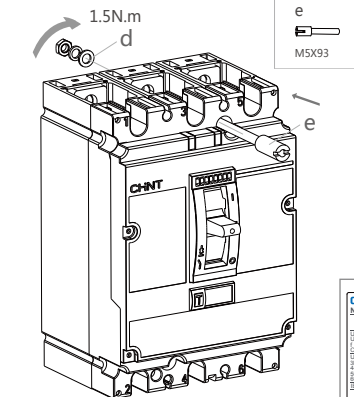


1

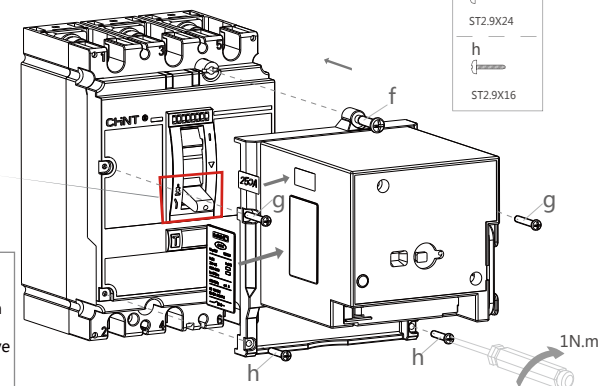
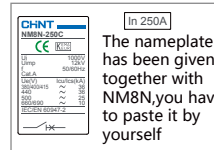


circuit breaker with residual current protection : Remove cover plate

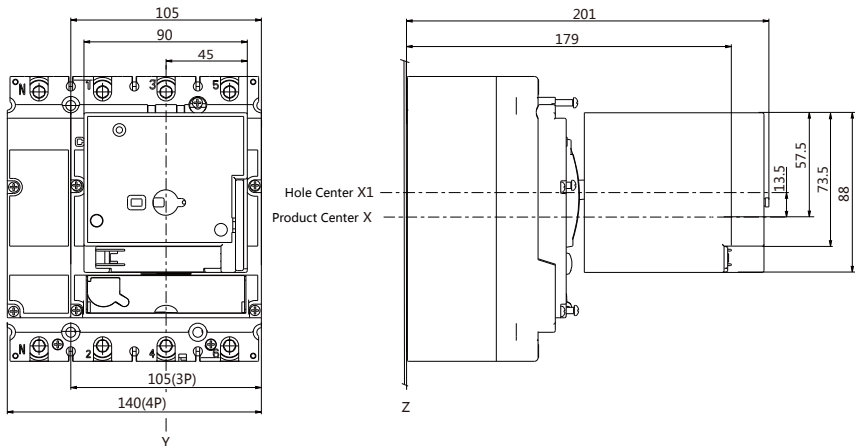
2



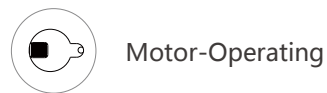
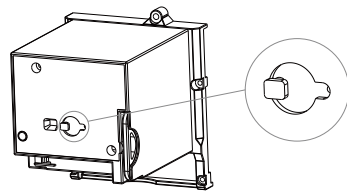
3



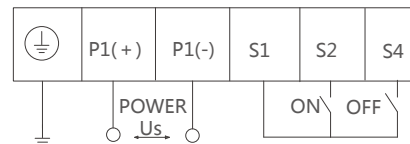
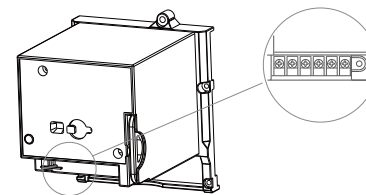
Installation Dimension (mm)



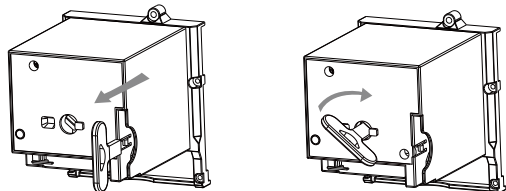
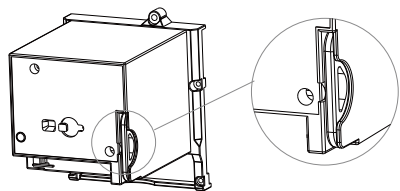
B Operation Mode



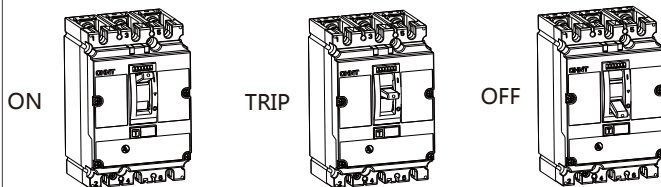
C Motor-Operating



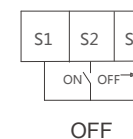
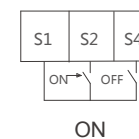
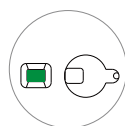
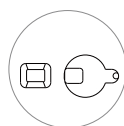
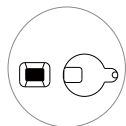
D Hand-Operating



E Operating Instruction



ON-Position:Red      TRIP-Position:White      OFF-Position:Green



Zhejiang CHINT Electrics Co., Ltd.

Add: No.1, CHINT Road, CHINT Industrial Zone, North Baixiang, Yueqing, Zhejiang Province.

Tel: 86-577-62777777 4001177797

Fax: global-sales@chint.com

Web : http://en.chint.com





