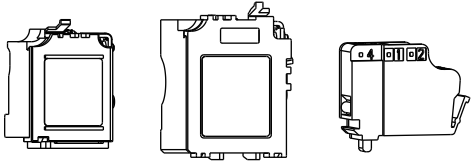


AX21-M8/AL21-M8
SHT21-M8/SHT22-M8/SHT24-M8
UVT21-M8/UVT22-M8/UVT24-M8

User Manual

Thank you for choosing this product.
Before installing, using or maintaining this product,
Please read the instruction manual carefully.

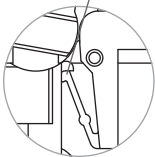
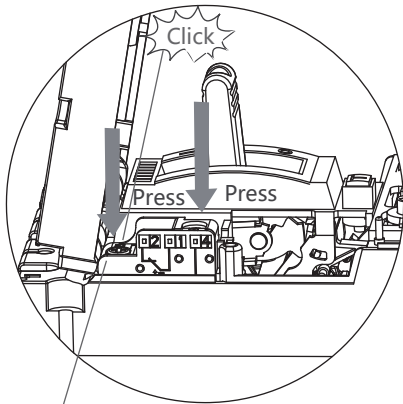
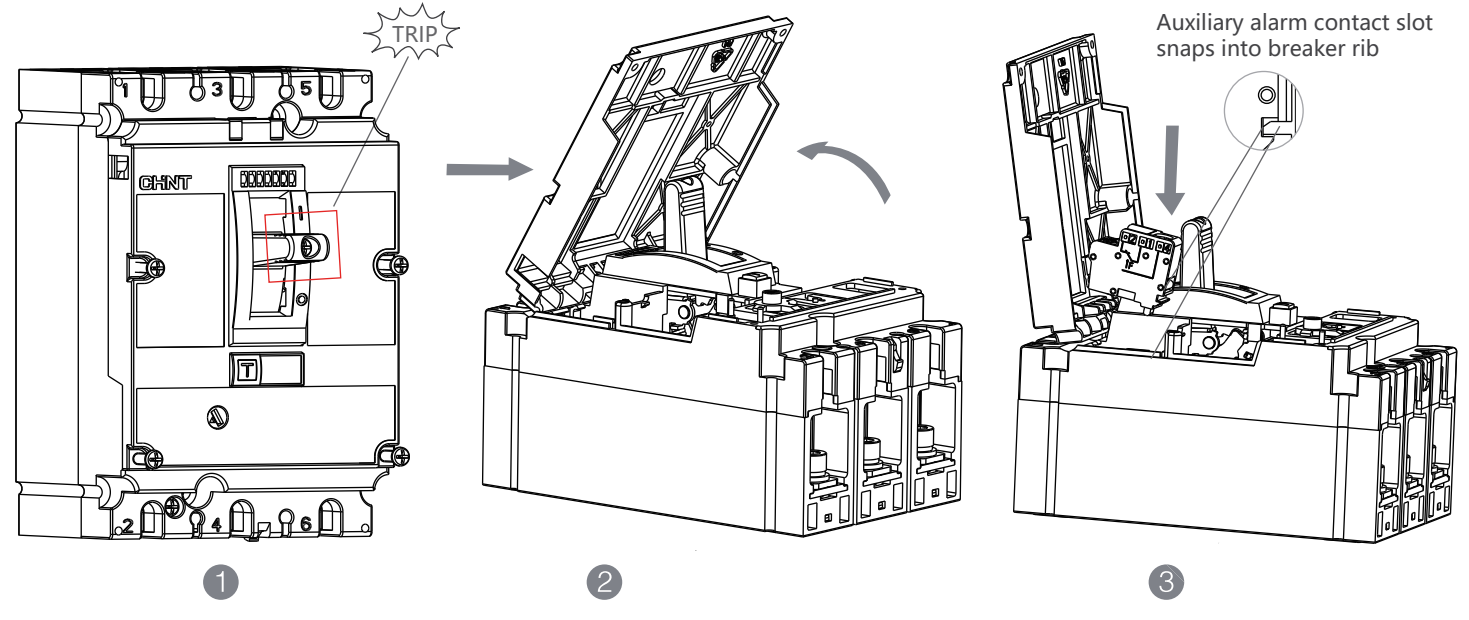
AX21-M8 Auxiliary contact
AL21-M8 Alarm contact
SHT21/22/24-M8 Shunt release
UVT21/22/24-M8 Under-voltage release



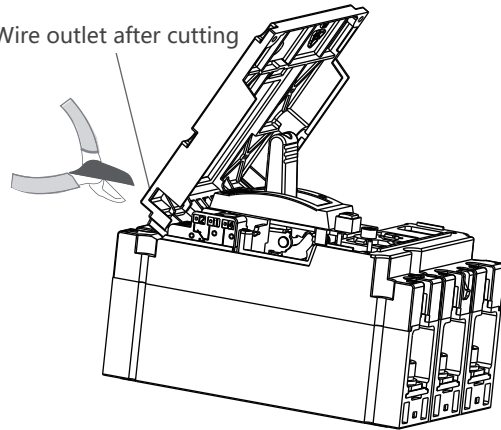
Environmental protection
In order to protect the environment, when this product or
its components are discarded, please properly dispose of
them as industrial waste; or send them to a recycling
treatment station for classification, dismantling, recycling
and reuse according to relevant national regulations.

CHNT

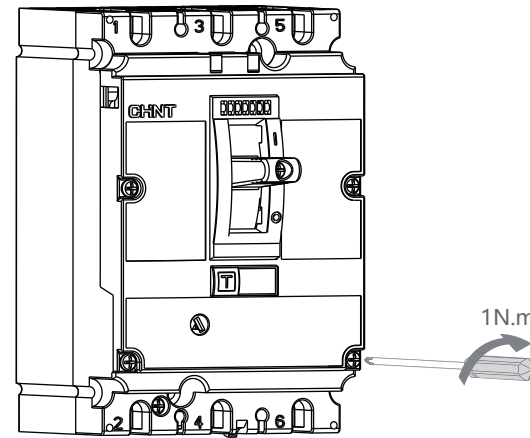
A Installation of auxiliary contacts and alarm contacts



Wire outlet after cutting



4

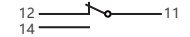


5

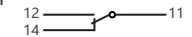
B Auxiliary contact, alarm contact action test

AX21-M8 (auxiliary contact)-correspondingly
installed in the slot marked AX on the circuit
breaker

When the circuit breaker is in the "open" or
"free trip" position

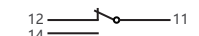


When the circuit breaker is in the "Closed"
position

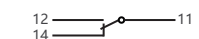


AL21-M8 (alarm contact)-correspondingly
installed in the slot marked AL on the circuit
breaker

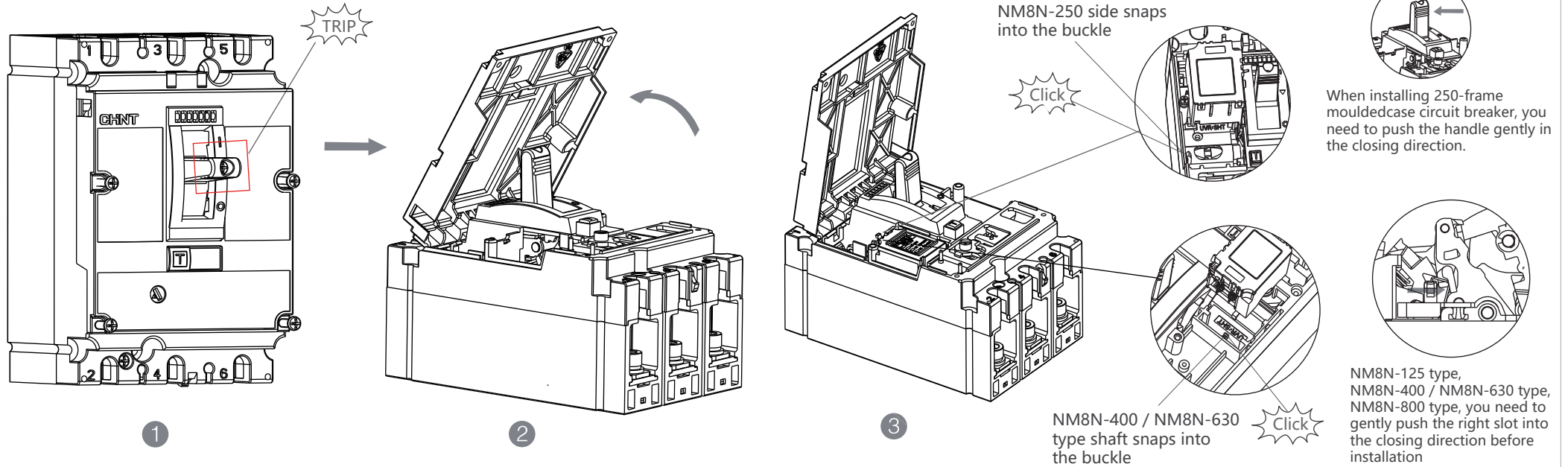
When the circuit breaker is in the "open" or
"closed" position



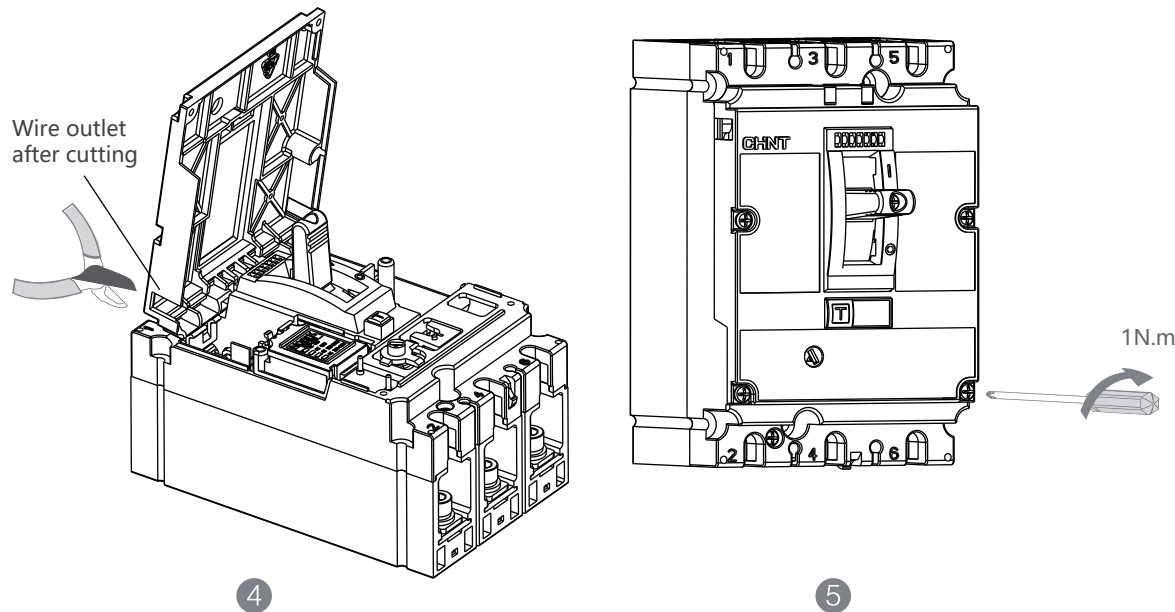
When the circuit breaker is in the "free trip"
(alarm) position



A Shunt release, undervoltage release installation



B Shunt release, undervoltage release action test



SHT 21/22 / 24-M8 (shunt release)

When the control voltage is maintained at 70% -110% U_n , the shunt can reliably open the circuit breaker.

UVT 21/22 / 24-M8 (undervoltage release)

a. When the control voltage drops to 35% -70% U_n , undervoltage can reliably open the circuit breaker.

b. When the control voltage is 85% -110% U_n , the circuit breaker should be able to close reliably.

c. When the control voltage is less than 35% U_n , it should be able to prevent the circuit breaker from closing.

Note: The circuit breaker equipped with an undervoltage release can only open and close normally when the control voltage is 85% -110% U_n .

Zhejiang CHINT Electrics Co., Ltd.

Add: No.1, CHINT Road, CHINT Industrial Zone, North Baixiang, Yueqing, Zhejiang Province.

Tel: 86-577-6277777 4001177797

Fax: global-sales@chint.com

Web: <http://en.chint.com>

