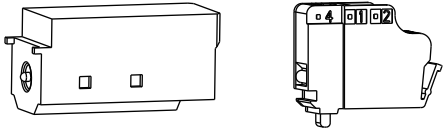


AX21-M8/AL21-M8
SHT25-M8/UVT25-M8

User Manual

Thank you for choosing this product.
Before installing, using or maintaining this product,
Please read the instruction manual carefully.

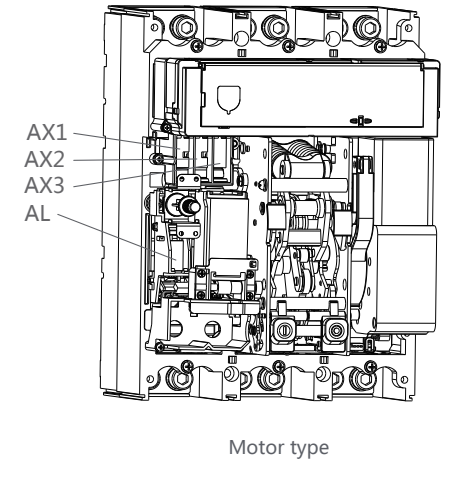
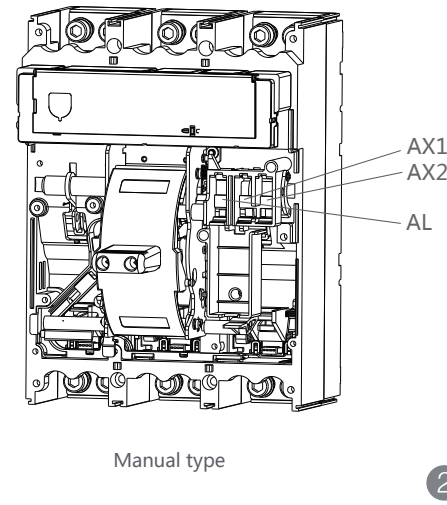
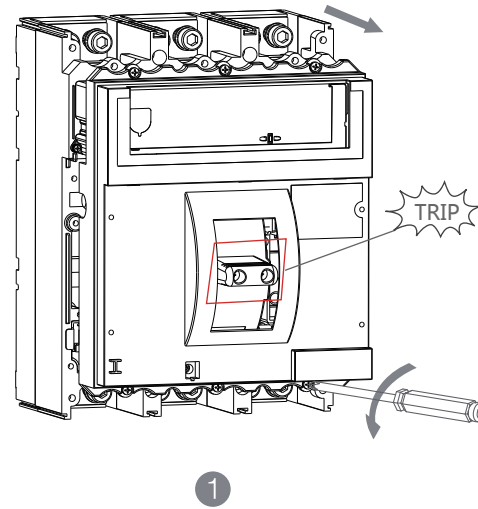
AX21-M8 Auxiliary contact
AL21-M8 Alarm contact
SHT25-M8 Shunt release
UVT25-M8 Under-voltage release



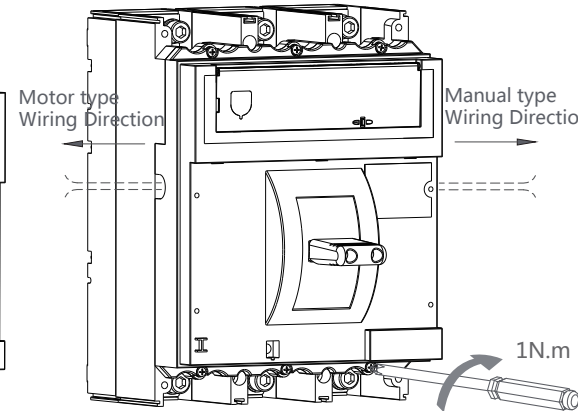
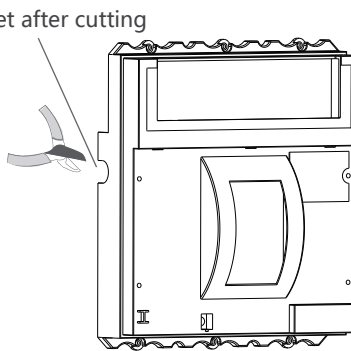
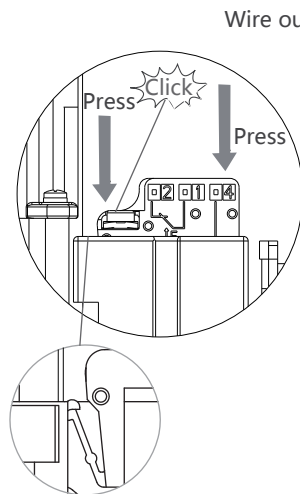
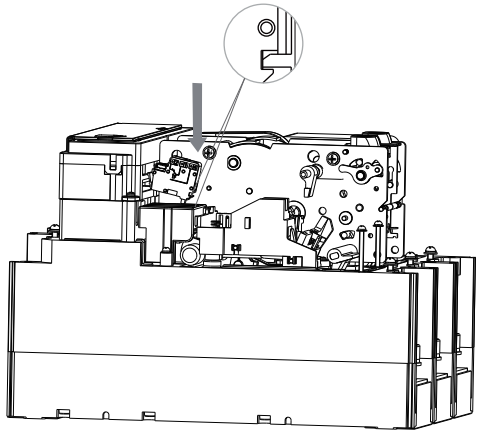
Environmental protection
In order to protect the environment, when this product or
its components are discarded, please properly dispose of
them as industrial waste; or send them to a recycling
treatment station for classification, dismantling, recycling
and reuse according to relevant national regulations.

CHNT

A Installation of auxiliary contacts and alarm contacts

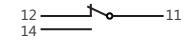


Auxiliary alarm contact slot
snaps into breaker rib

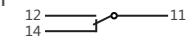


B Auxiliary contact, alarm contact action test

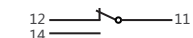
AX21-M8 (auxiliary contact)
-correspondingly installed in the slot
marked AX on the circuit breaker
When the circuit breaker is in the "open"
or "free trip" position



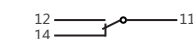
When the circuit breaker is in the "Closed"
position



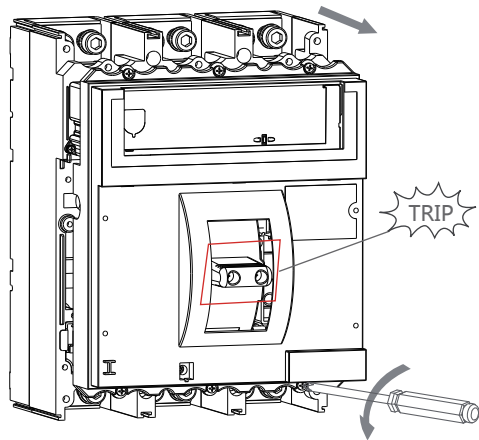
AL21-M8 (alarm contact)
-correspondingly installed in the slot
marked AL on the circuit breaker
When the circuit breaker is in the "open"
or "closed" position



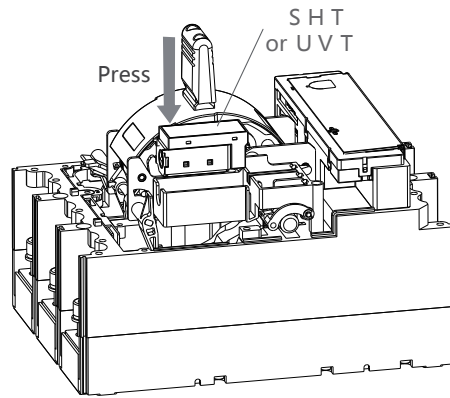
When the circuit breaker is in the "free
trip" (alarm) position



A Shunt release, undervoltage release installation

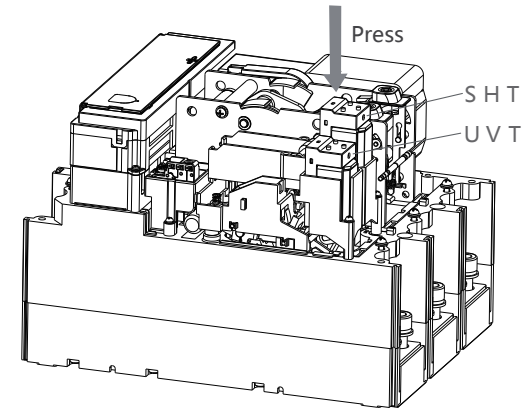


1



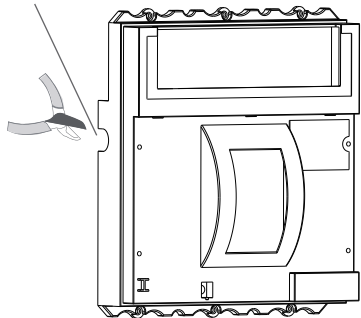
Manual type

2

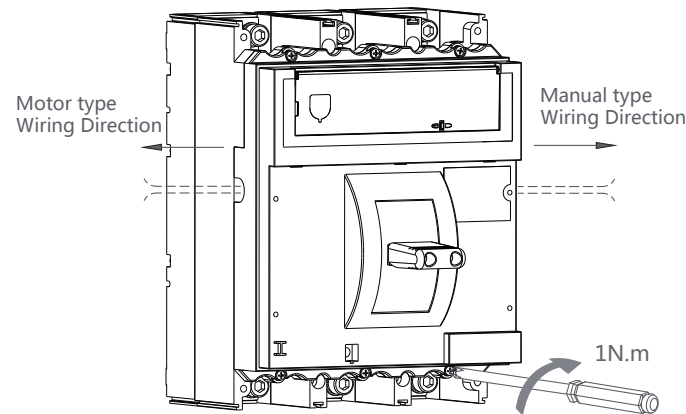


Motor type

Wire outlet after cutting



3



4

B Shunt release, undervoltage releaseaction test

SHT 25-M8 (shunt release)

When the control voltage is maintained at 70% -110% U_n , the shunt can reliably open the circuit breaker.

UVT 25-M8 (undervoltage release)

a. When the control voltage drops to 35% -70% U_n , undervoltage can reliably open the circuit breaker.

b. When the control voltage is 85% -110% U_n , the circuit breaker should be able to close reliably.

c. When the control voltage is less than 35% U_n , it should be able to prevent the circuit breaker from closing.

Note: The circuit breaker equipped with an undervoltage release can only open and close normally when the control voltage is 85% -110% U_n .

Zhejiang CHINT Electrics Co., Ltd.

Add: No.1, CHINT Road, CHINT Industrial Zone, North Baixiang, Yueqing, Zhejiang Province.

Tel: 86-577-6277777 4001177797

Fax: global-sales@chint.com

Web : <http://en.chint.com>

