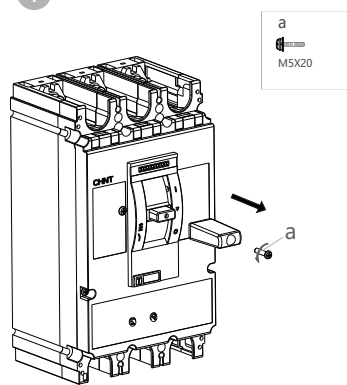


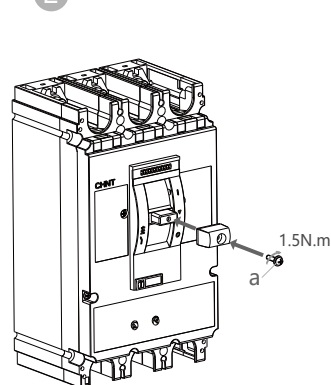
In order to protect the environment, when the product or its components are scrapped, please dispose of it as industrial waste; or hand it over to the recycling station for disaggregation, recycling and reuse according to relevant national regulations



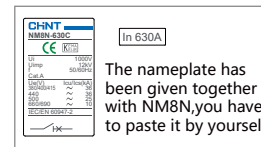
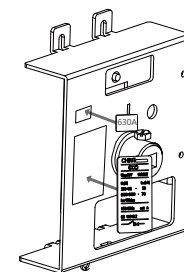
1



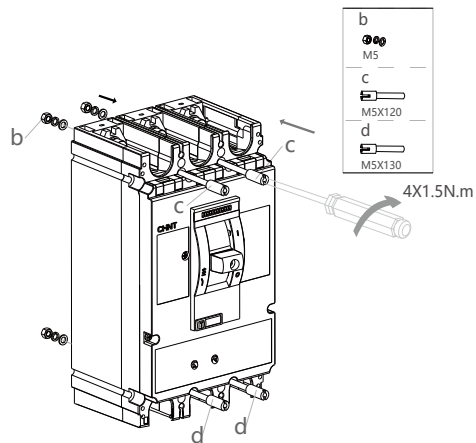
2



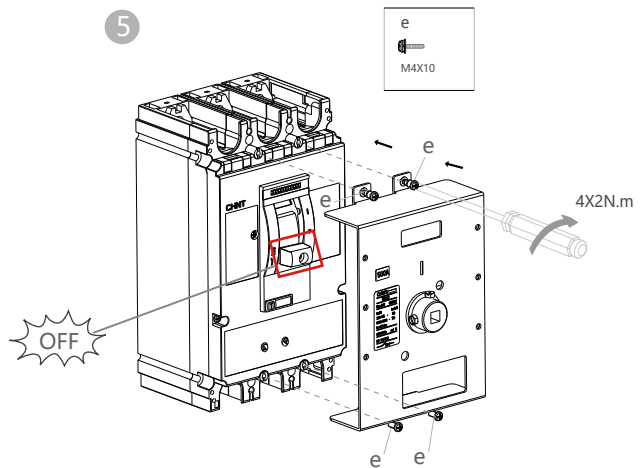
3



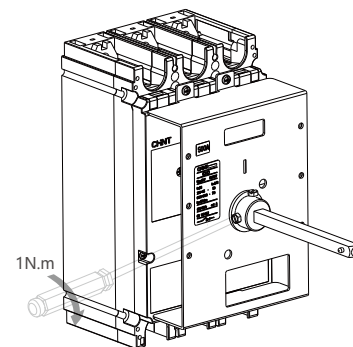
4



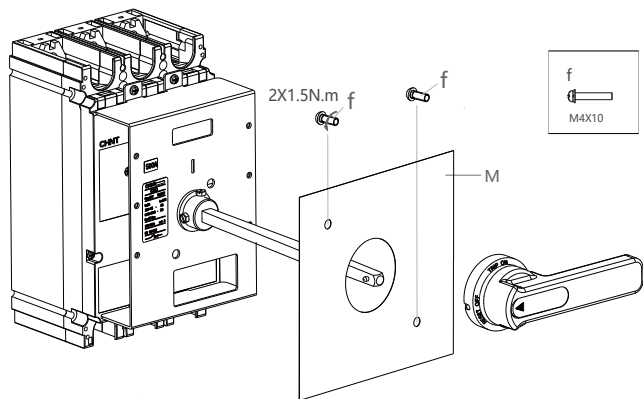
5



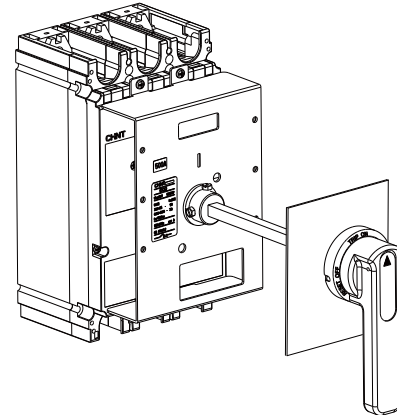
6



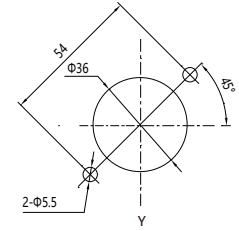
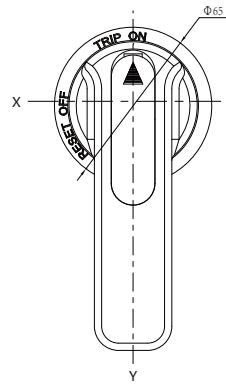
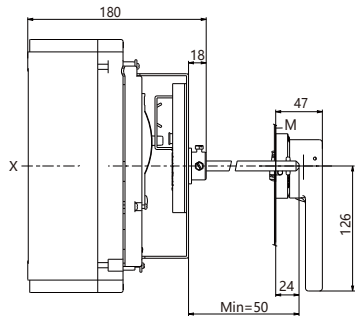
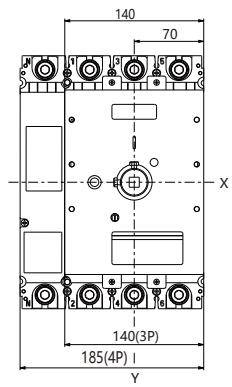
7



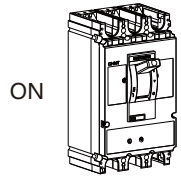
8



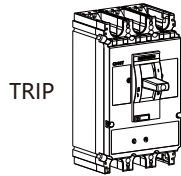
Installation Dimension (mm)



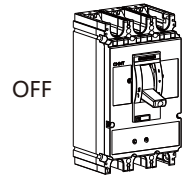
B Operating Instruction



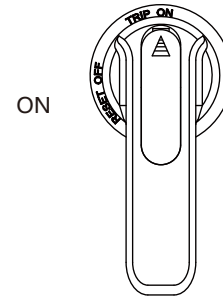
ON



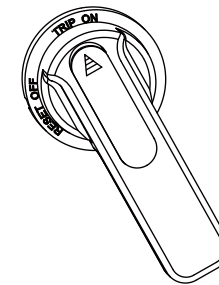
TRIP



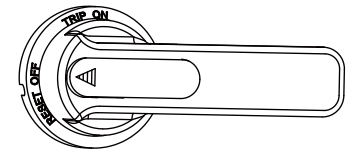
OFF



ON



TRIP



OFF

Zhejiang CHINT Electrics Co., Ltd.

Add: No.1, CHINT Road, CHINT Industrial Zone, North Baixiang, Yueqing, Zhejiang Province.

Tel: 86-577-62777777 4001177797

Fax: global-sales@chint.com

Web: <http://en.chint.com>

