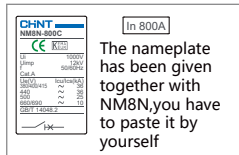
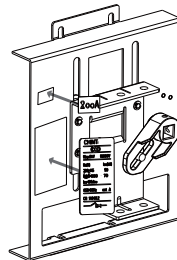


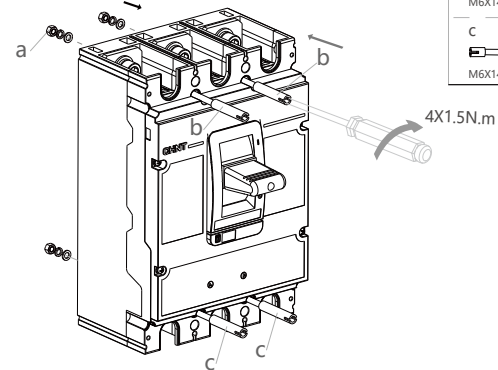
In order to protect the environment, when the product or its components are scrapped, please dispose of it as industrial waste; or hand it over to the recycling station for disaggregation, recycling and reuse according to relevant national regulations

CHNT

1

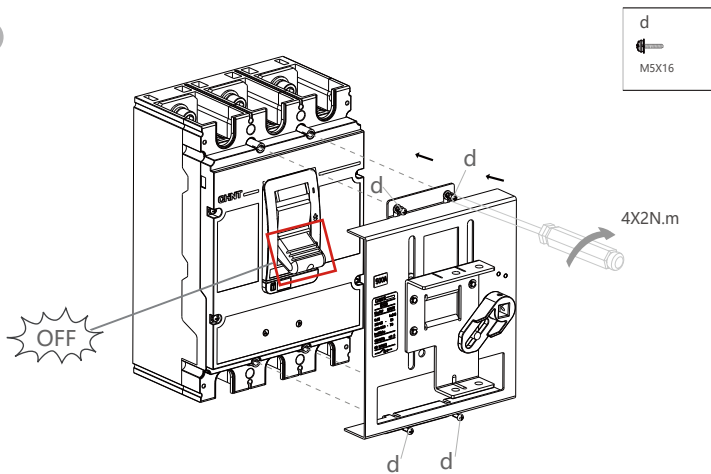


2



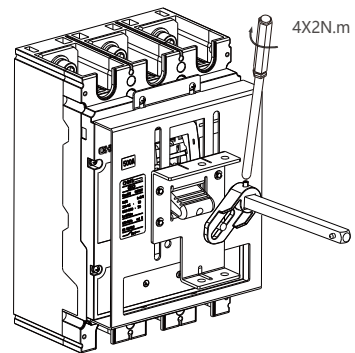
- a
M6
- b
M6X146
- c
M6X140

3

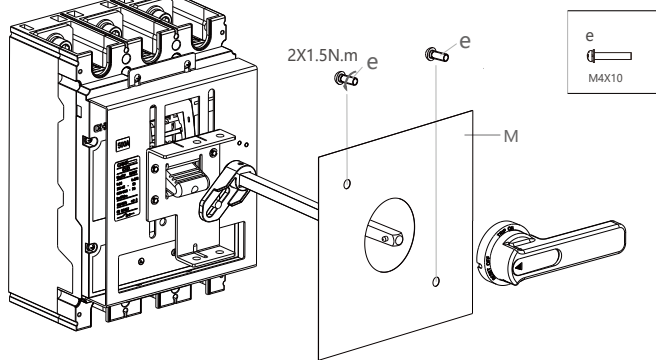


- d
M5X16

4

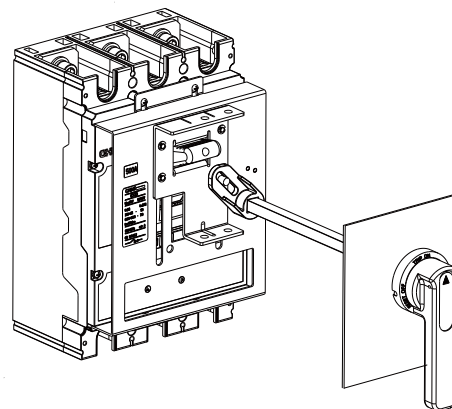


5

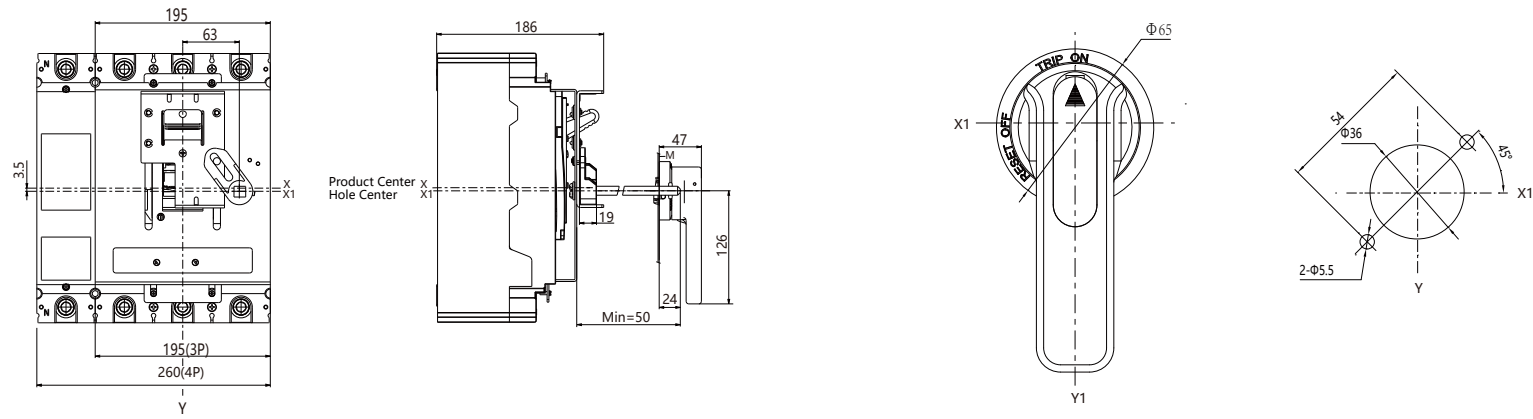


- e
M4X10

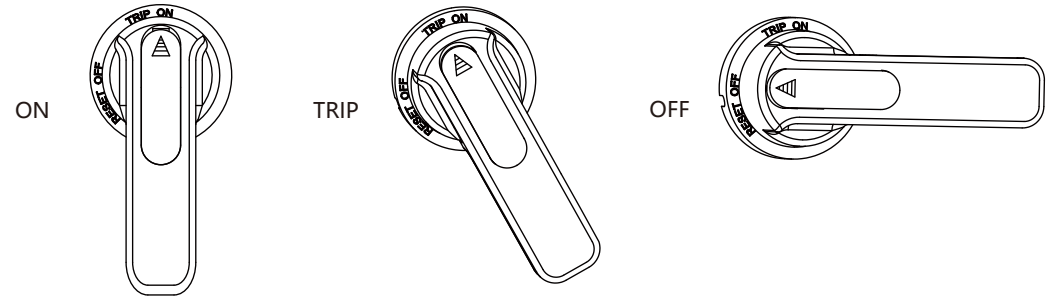
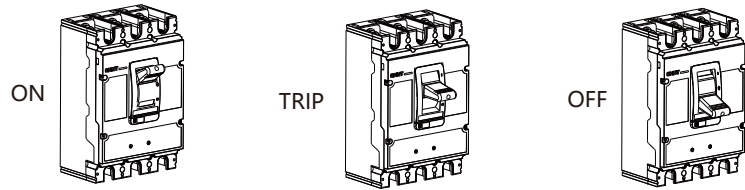
6



Installation Dimension (mm)



B Operating Instruction



Zhejiang CHINT Electrics Co., Ltd.

Add: No.1, CHINT Road, CHINT Industrial Zone, North Baixiang, Yueqing, Zhejiang Province.

Tel: 86-577-62777777 4001177797

Fax: global-sales@chint.com

Web: <http://en.chint.com>

