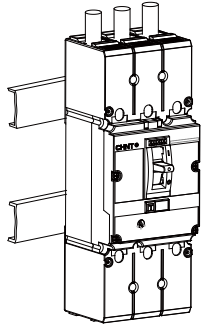


User Manual

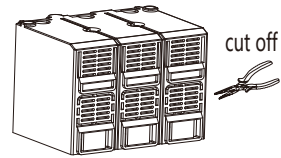
Thank you for choosing this product.
Before installing, using or maintaining this product,
Please read the instruction manual carefully.



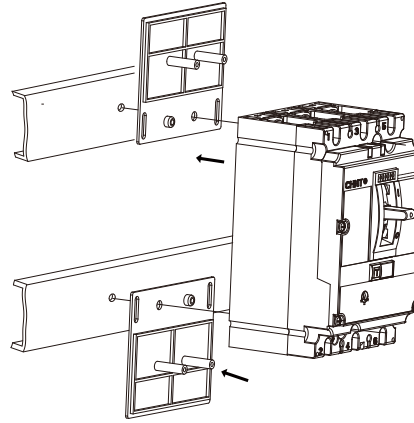
Environmental protection
In order to protect the environment, when this product or its components are discarded, please properly dispose of them as industrial waste; or send them to a recycling treatment station for classification, dismantling, recycling and reuse according to relevant national regulations.



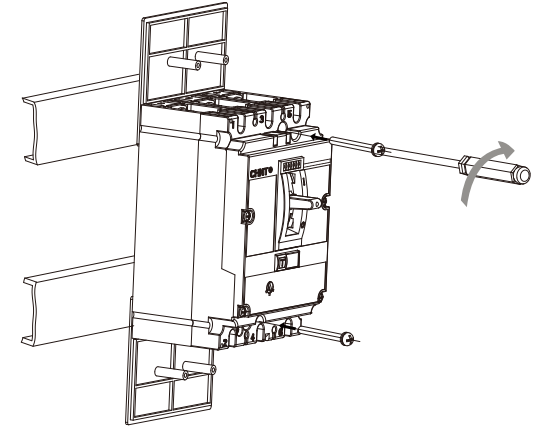
1



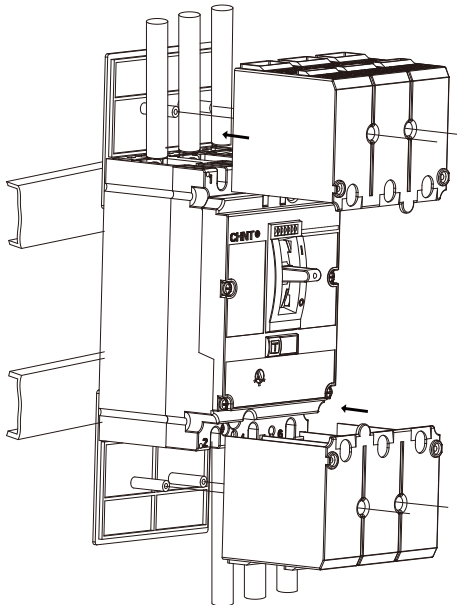
2



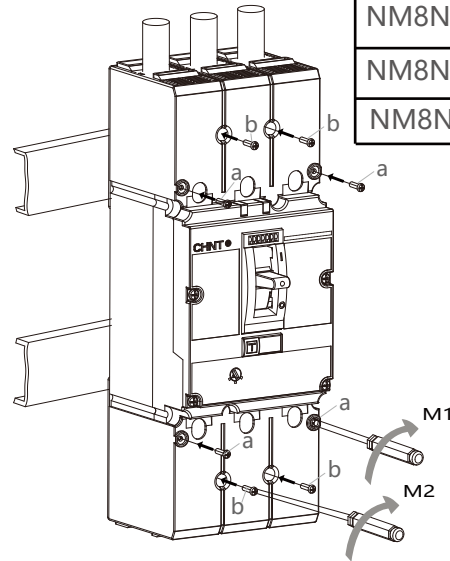
3



4



5



Type	a	b	M1 (N.m)	M2 (N.m)
NM8N-125/250	ST2.9X10	ST2.9X14	0.8	0.8
NM8N-400/630	ST3.5X19	ST2.9X14	2	
NM8N-800	ST4.2X16	ST2.9X14	2.5	

Zhejiang CHINT Electrics Co., Ltd.

Add: No.1, CHINT Road, CHINT Industrial Zone,
North Baixiang, Yueqing, Zhejiang Province.

Tel: 86-577-62777777 4001177797

Fax: global-sales@chint.com

Web: <http://en.chint.com>



