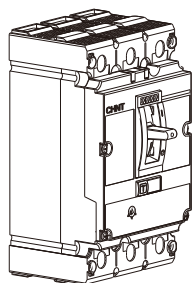


User Manual

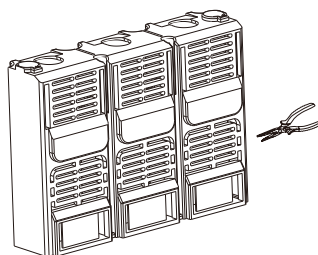
Thank you for choosing this product.
Before installing, using or maintaining this product,
Please read the instruction manual carefully.



Environmental protection
In order to protect the environment, when this product or its components are discarded, please properly dispose of them as industrial waste; or send them to a recycling treatment station for classification, dismantling, recycling and reuse according to relevant national regulations.

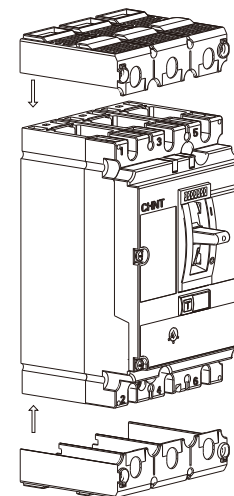
CHINT

1

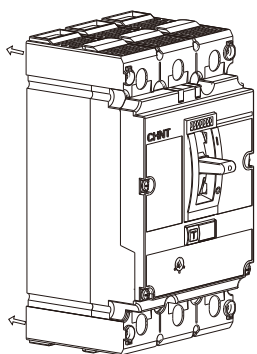


Attention: front connection cut off

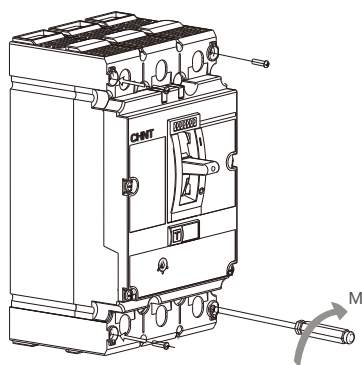
2




3



4



Type		M (N.m)
NM8N-125/250	ST2.9X10	0.8
NM8N-400/630	ST3.5X19	2
NM8N-800	ST4.2X16	2.5

Zhejiang CHINT Electrics Co., Ltd.

Add: No.1, CHINT Road, CHINT Industrial Zone,
North Baixiang, Yueqing, Zhejiang Province.

Tel: 86-577-6277777 4001177797

Fax: global-sales@chint.com

Web : <http://en.chint.com>



