

YBLT-EKW/5A/B Foot Switch

1. General

The foot switch YBLT-EKW/5A/B series is suitable for alternating current 50~60Hz; and the control lines of voltage to 380V, volts d.c. to 220V; as control machine tools electric, medical facility etc.

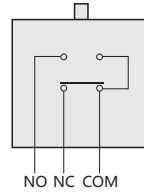
In accordance with standard: GB/T 14048.5, IEC 60947-5-1.

2. Type designation

YB LT - EKW/5A /B

- YB Type B
- LT Promise heating current
- EKW Design sequence No.
- 5A Foot switch
- B Type of improved product

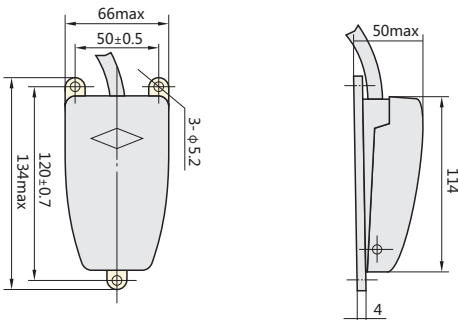
Contact type



3. Overall and mounting dimensions

Voltage rating: AC-15 380V ; DC-13 220V;
 Voltage current: AC-15 0.8A ; DC-13 0.16A;
 Promise heating current: 5A;
 Switch element: YBLX-19/K Sheathing;
 material: cast aluminum alloy;
 Level of protection: IP20;
 Installation category: II;
 Pollution degree: class3;
 Insulation voltage U_i : 500V;
 Rated impulse withstand voltage U_{imp} : 2.5KV;
 Operation frequency: 20t/min;
 Ambient temperature: -5°C - +40°C.

YBLT-EKW/5A/B



4. Ordering information

The full model number, name and quality of the switch should be given when ordering.
 For example: YBLT-EKW/5A/B foot switch, 100 piece