

# Outdoor Oil Immersed CT & PT

## JDCF-66~132 Series Voltage Transformer

Applicable Standard: IEC 60044-2 Voltage Transformer



### 1. Operation Conditions

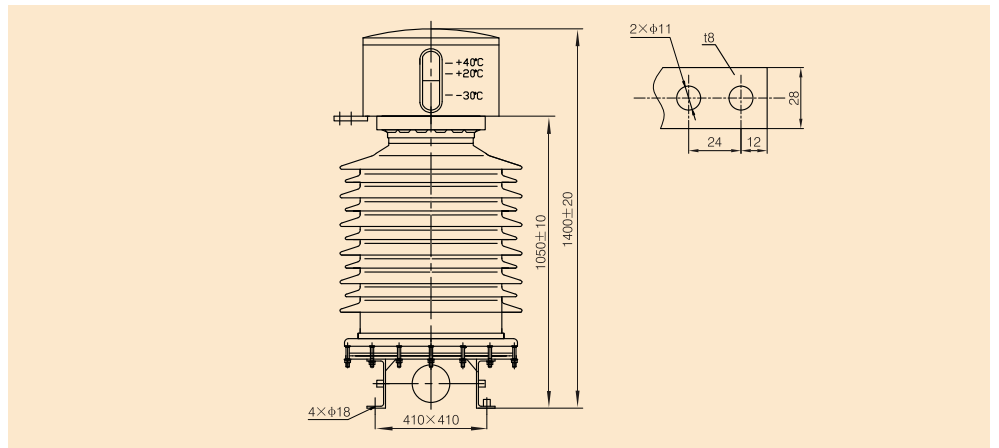
- 1.1 Installation area: outdoor
- 1.2 Altitude: no more than 2000m
- 1.3 Ambient temperature: Max. temperature: +40°C; Min. temperature: -25°C (-40°C);  
Daily average temperature: no more than 30°C
- 1.4 Air conditions: No contamination or corrosive and volatile medium in air
- 1.5 Max. wind velocity: no more than 34m/s

### 2. Technical Parameters

Model/type	Rated voltage ratio (kV)	Accuracy classes			Insulation level (kV)
		0.2	0.5	3P	
JDCF-66	66/√3/0.1/√3/0.1/√3/0.1	0.2 / 0.5 / 3P , 75 / 100 / 100 VA			72.5/140/350
JDCF-110	110/√3/0.1/√3/0.1/√3/0.1	0.2 / 0.5(3P) / 3P , 100 / 200(200) / 300 VA			126/200/480
JDCF-132	132/√3/0.1/√3/0.1/√3/0.1	0.2 / 0.5(3P) / 3P , 100 / 100(100) / 100 VA			145/275/650

### 3. Outline and Mounting Dimensions

JDCF-66



JDCF-132

