

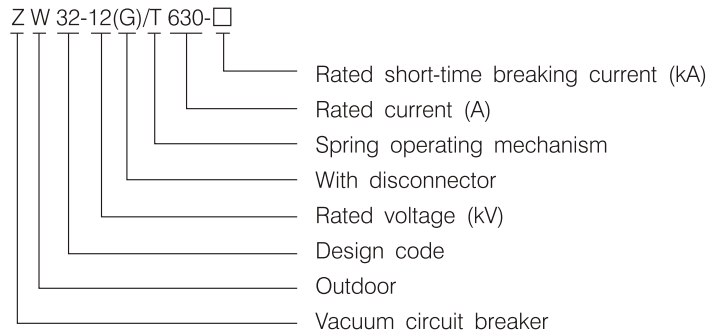
## ZW32-12 Vacuum Circuit Breaker, Outdoor Type



### 1. General

- 1.1 Ratings: voltage up to 10kV, current 630A, AC50Hz.
- 1.2 Application: for making & breaking load current, overload current and short-circuit protection of electric systems and equipments.
- 1.3 Standard: IEC62271-100

### 2. Type and Interpretation



### 3. Working Condition

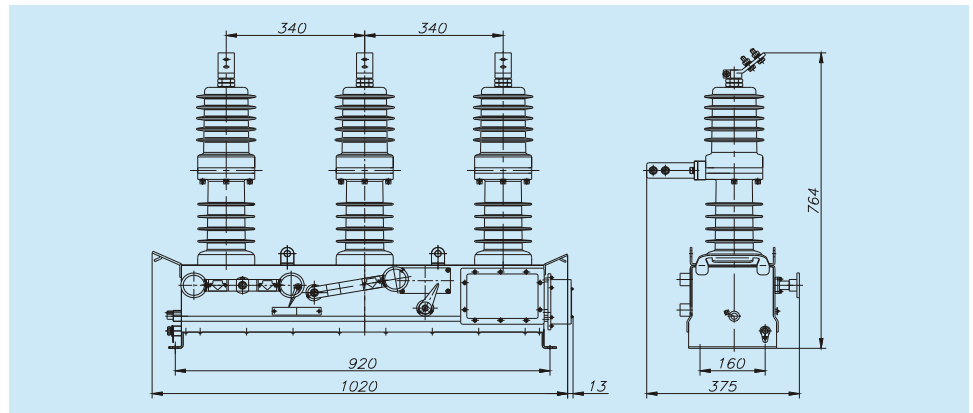
- 3.1 Ambient air temperature: -40 ~ +40°C
- 3.2 Altitude: ≤2000m
- 3.3 Pollution level: ≤ III
- 3.4 Wind speed: ≤34m/s (Equal to 700Pa over cylindrical surface)
- ※ Note: Customized products for other special working conditions are available on your requirements.

### 4. Main Technical Parameters

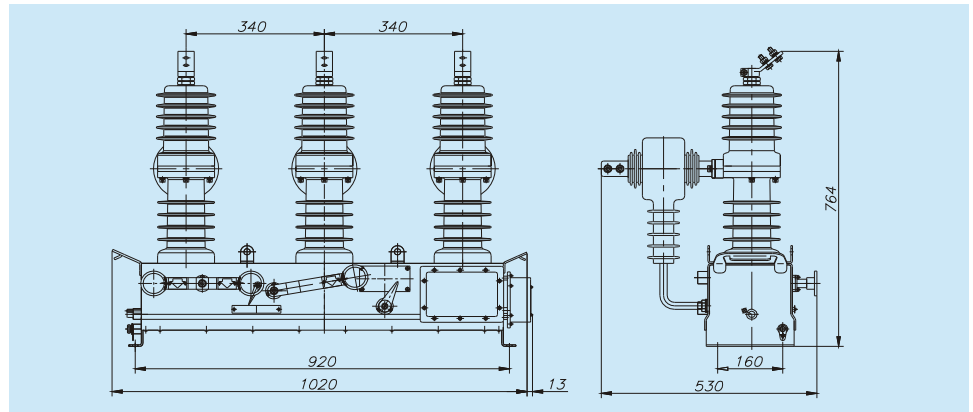
Item	Unit	Parameter
Rated voltage	kV	12
Rated current	A	630
Power frequency withstand (1 min)	kV	42
Lightening impulse withstand (peak)	kV	75
Rated short-circuit breaking current	kA	12.5 16 20
Rated short-circuit closing current (peak)	kA	31.5 40 50
Rated peak withstand current	kA	31.5 40 50
Rated short-time withstand current for 4s	kA	12.5 16 20
Rated operating sequence		O-0.3s-CO-180s-CO
Rated short-circuit breaking current, breaking times	times	30
Mechanical life	times	10000
Rated voltage of energy storage electric motor	V	DC or AC 220 110 Dc24
Rated operating voltage (with special spring operating mechanism)	$\frac{\text{closing coil}}{\text{opening coil}}$ V	DC or AC 220 110 Dc24
Rated current of over-current trip	A	5
Permissible wearing thickness for contacts	mm	3
Mass	kg	103, 138 (including insulating devices)
Central clearance between phases	mm	340±3

## 5. Overall and Installation Dimension

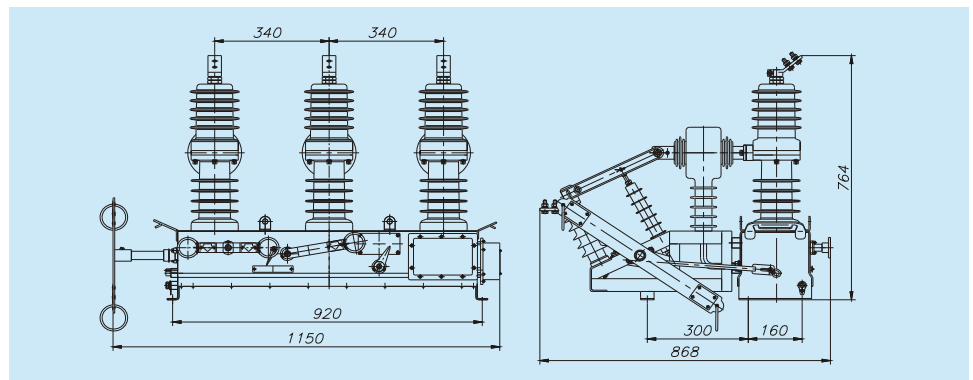
### 5.1 Circuit breaker without CT



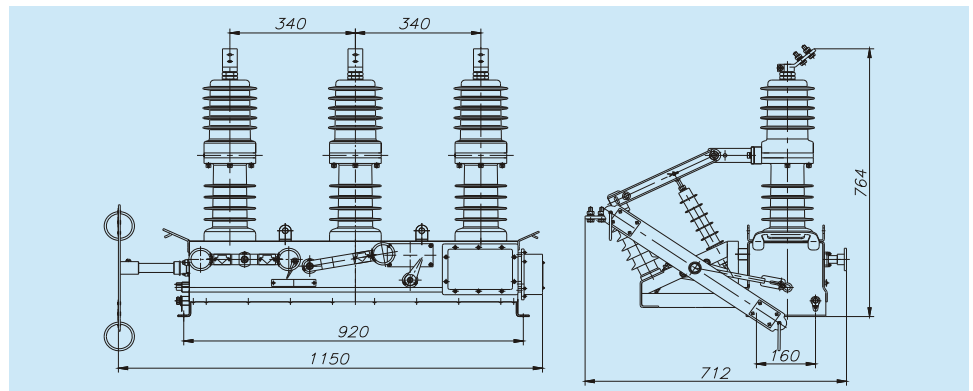
### 5.2 Circuit breaker with CT



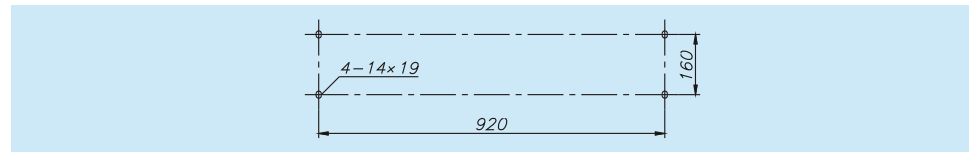
### 5.3 Circuit breaker with PT and disconnector



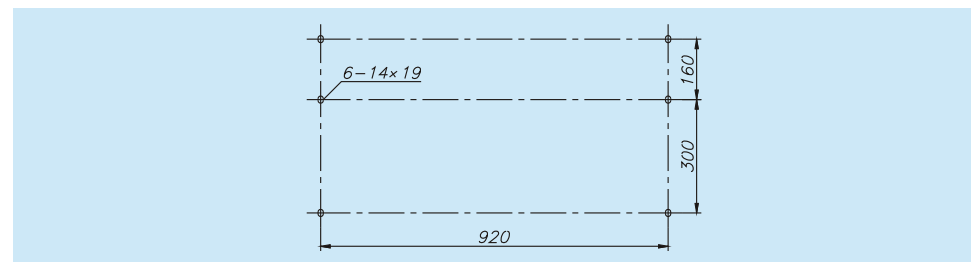
### 6.4 Circuit breaker with disconnector



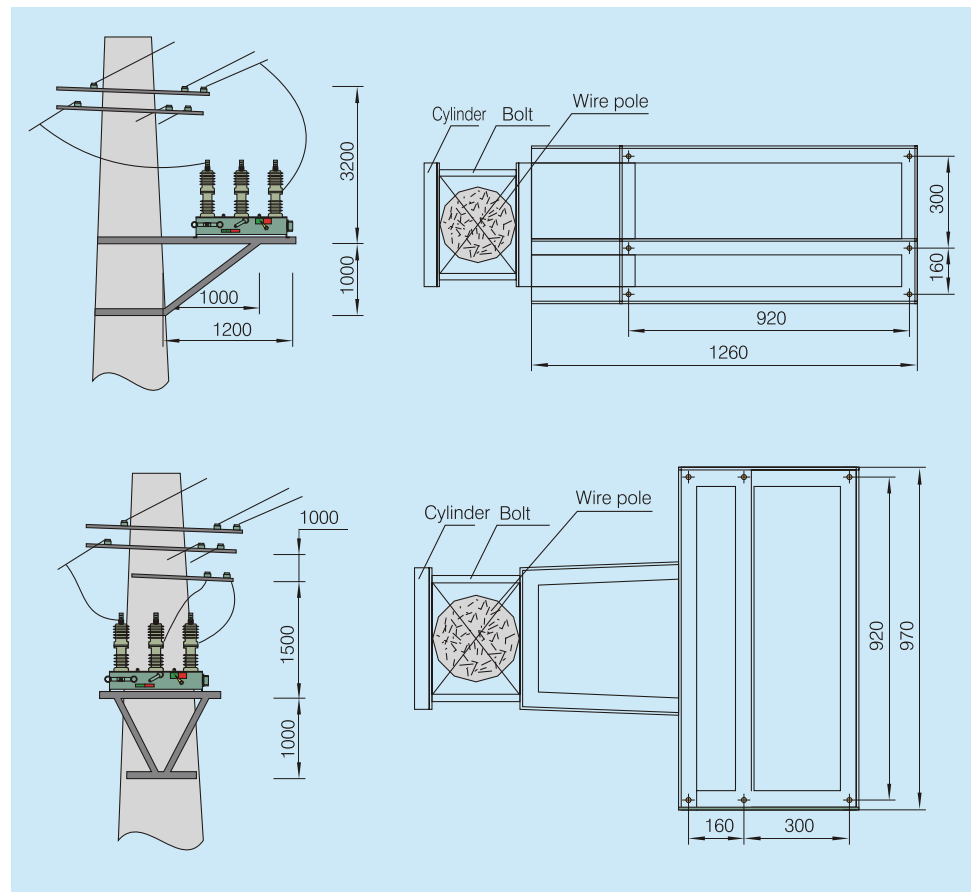
5.5 Circuit breaker and circuit breaker with disconnector



5.6 Circuit breaker with CT and disconnector



5.7 Circuit breaker installation dimension



6. Ordering Information

Please indicate the following items when order:

- 6.1 Type, name, specification and quantity.
  - 6.2 Rated current, rated short-circuit breaking current and current ration of the current transformer.
  - 6.3 Operating mode and operating voltage.
  - 6.4 Name and quantity of spare parts.
- ※ Customized products are available per your requirements.