



## NCK5 Definite Purpose Contactor 20 ~ 40A

### 1. Overview

- 1.1 Product certification: UL, CSA
- 1.2 Application: HVACR
- 1.3 Usage category: AC-1, AC-8a
- 1.4 Rated insulation voltage Ui: 630V
- 1.5 Applicable standard: UL/CSA 60947-4-1

### 2. Description of product model

N C K 5 - □ / □ □ □

- Main load terminal  
Denoted by L and S,  
L indicates the box lug,  
S indicates the screw
- Denoted by letter T, T indicates two quick- plug terminals and F indicates four quick-plug terminals, omitted when the single housing has only one terminal (e.g. 3P, 4P).
- 3 represents 3 poles, 4 represents 4 poles
- Rated current (AC-8a)
- Design serial number  
For HVACR application
- AC-specific
- AC contactor
- Enterprise feature code

### 3. Product features

- 3.1 The coil is closed.
- 3.2 The range of coil voltage is complete, including 24V-480V. A wide range covering 208V-240V is available for user selection.
- 3.3 The coil connection can be up or down, with 2 quick-plug connections, 1 quick-plug + screwed connection for user selection.
- 3.4 The main circuit has diverse wiring modes: combined screw, box lug and two quick-plug combinations.

## 4. Technical Parameters

### 4.1 Technical parameters of main circuit

Model	Definite purpose rating (Three phase)							HP ratings		
	FLA			RES	LRA			Voltage	Single phase	Three phase
	240/277V	480V	600V		240/277V	480V	600V			
NCK5-20/3 NCK5-20/4	25	25	25	35	150	125	100	120	2	/
240/277								5	10	
480								/	15	
600								/	20	
NCK5-25/3 NCK5-25/4	25	25	25	35	150	125	100	120	2	/
240/277								5	10	
480								/	15	
600								/	20	
NCK5-30/3 NCK5-30/4	32	32	32	40	200	150	120	120	2	/
240/277								5	10	
480								/	15	
600								/	20	
NCK5-32/3 NCK5-32/4	32	32	32	40	200	150	120	120	2	/
240/277								5	10	
480								/	15	
600								/	20	
NCK5-40/3 NCK5-40/4	40	40	40	50	240	200	160	120	3	/
240/277								7.5	10	
480								/	20	
600								/	25	

### 4.2 Technical Parameters of Coil

Type		NCK5-25	NCK5-32	NCK5-40
Coil power consumption	Pull-in power	9	9	9
	Holding power	62	62	62
Operating range	Pull-in voltage	(85%~110%)Us		
	Release voltage	(20~65% ) Us		
Coil voltage	(50/60Hz) 24V, 36V, 48V, 110V, 120V, 220V, 208~240V, 277V, 440V, 480V			

### 4.3 Technical Parameters of Auxiliary Module (Side-mounted)

#### 1NC+1NO auxiliary module (NCF8-11)

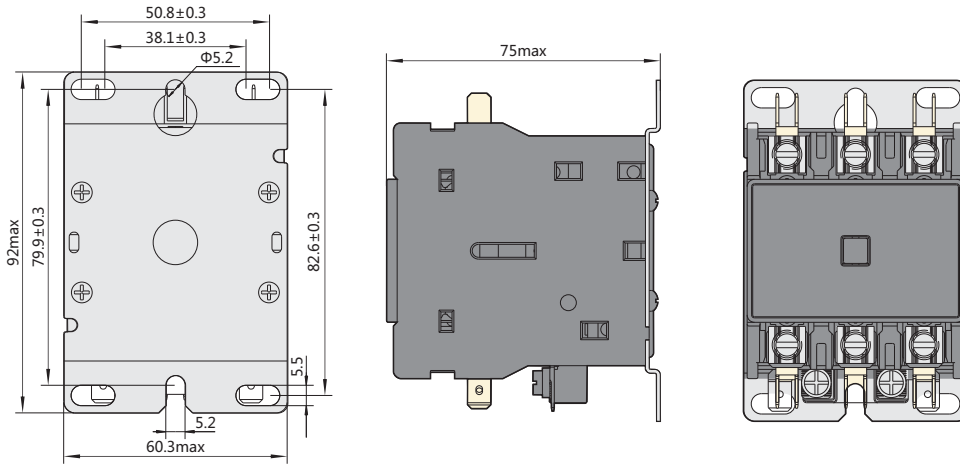
Usage category	Rated insulation voltage (V)	Agreed free air heating current (A)	Rated operating voltage (V)	Rated operating current	Control capacity
AC-15	690	10	380/400	0.95	360VA
DC-13	690	10	220/230	0.15	33W

## 5 Wiring

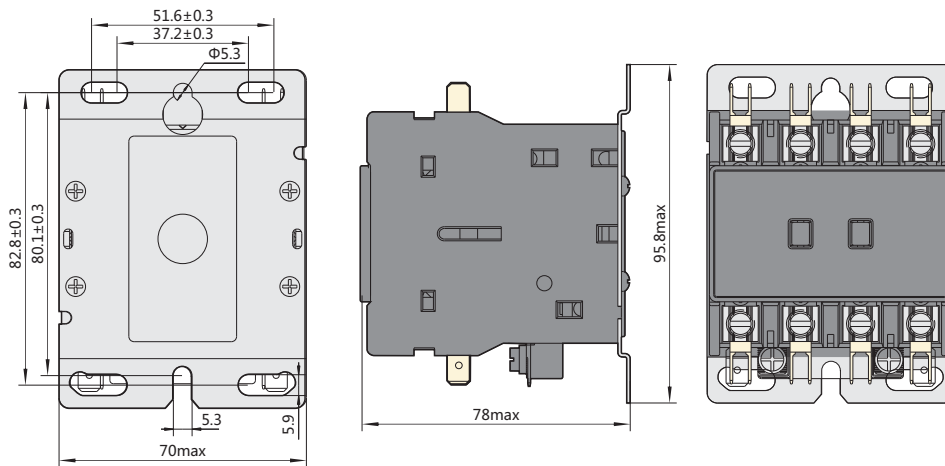
Model	Connecting wire (mm <sup>2</sup> )		Tightening torque (N.m)	
	Single core hard wire	Multi-strand flexible wire	Coil	Main circuit
NCK5-20/3, NCK5-20/4	2.5~6	2.5~4	0.8~1.2	1.8~2
NCK5-25/3, NCK5-25/4	2.5~6	2.5~4	0.8~1.2	1.8~2
NCK5-30/3, NCK5-30/4	4~10	2.5~6	0.8~1.2	1.8~2
NCK5-32/3, NCK5-32/4	4~10	2.5~6	0.8~1.2	1.8~2
NCK5-40/3, NCK5-40/4	4~10	2.5~6	0.8~1.2	1.8~2

## 6. Overall and installation dimensions

NCK5-20/3~40/3



NCK5-20/4~40/4



D