



NHRT40 Vertical Fuse-switch Disconnecter

1. General

1.1 Application

NHRT40 series vertical fuse-switch disconnecter is applicable in the circuit of rated voltage AC690V and below, rated current AC 160A-630A, rated frequency of 50Hz.

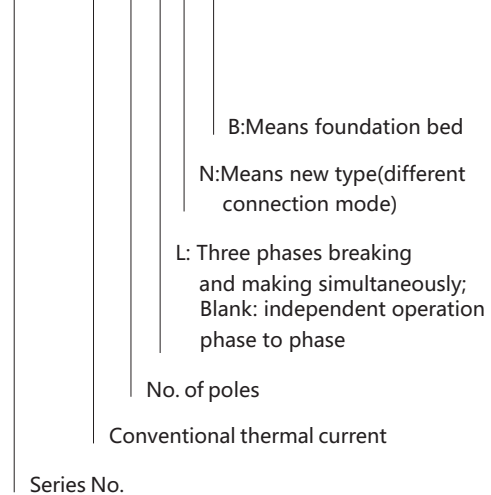
NHRT40 series are infrequently manually operated multipolar fuse combination switches.

They break or switch off on load and provide safely isolation and protection against overcurrent for any voltage electrical circuit.

1.2 Standard: IEC 60947-3.

2. Type designation

NHRT 40 - □ / □ □ □ □



3. Structure and features

3.1 Structure: The switch is consisted of underpan, base, cover, handle and shield.

3.2 NT series fuse link is installed in the cover to act as knife of active contact.

3.3 The handle moves fan-shapely based on the pivot of underpan, makes the cover and fuse make and break together, it is with enough space and remarkable disconnection point which meets the requirement of disconnecter switch.

3.4 It is convenient to dismount the base and underpan, which is easy to mount the base to the busbar safely and reliably.

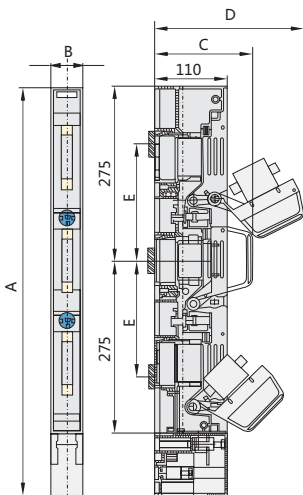
3.5 There is arc extinguisher on the underpan, which ensures breaking capacity of the switch.

4. Technical data

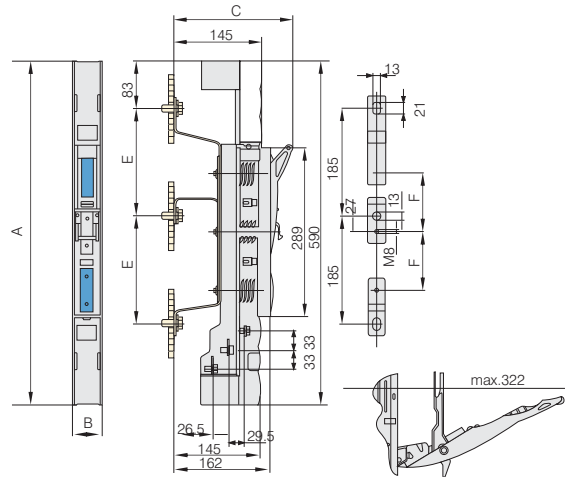
Conventional thermal current (A)		160	250	400	630
Rated insulation voltage (V)		800			
Rated current (A)	400V AC20	160	250	400	630
	400V AC21	160	250	400	630
	400V AC22	160	250	400	630
	690V AC20	160	250	400	630
	690V AC21	100	200	315	425
	690V AC22	100	160	315	315
	Specification of associated fuse				
	Model	00	1	2	3
	400V Rated current of fuse (Breaking capacity) A	20, 25, 32, 35, 40, 50, 63, 80, 100, 125, 160 ($\geq 100kA$)	80, 100, 125, 160, 200, 224, 250 ($\geq 100kA$)	125, 160, 200, 224, 250, 315, 355, 400 ($\geq 100kA$)	315, 355, 400, 425, 500, 630 ($\geq 100kA$)
	690V Rated current of fuse (Breaking capacity) A	20, 25, 32, 35, 40, 50, 63, 80, 100 ($\geq 50kA$)	80, 100, 125, 160, 200 ($\geq 50kA$)	125, 160, 200, 224, 250, 300, 315 ($\geq 50kA$)	315, 355, 400, 425 ($\geq 50kA$)

5. Overall and mounting dimensions (mm)

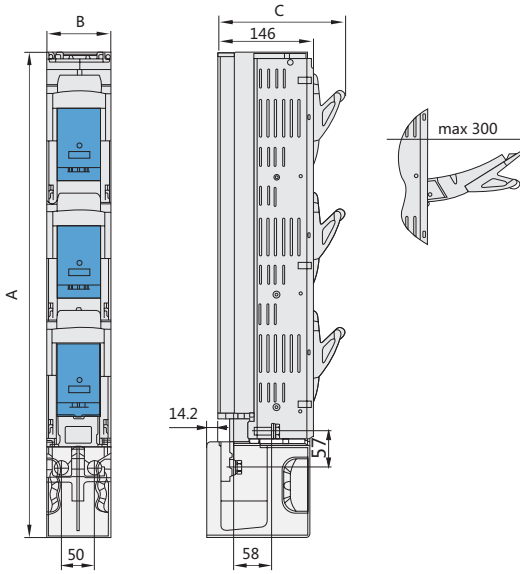
NHRT40-160 Independent operation phase to phase



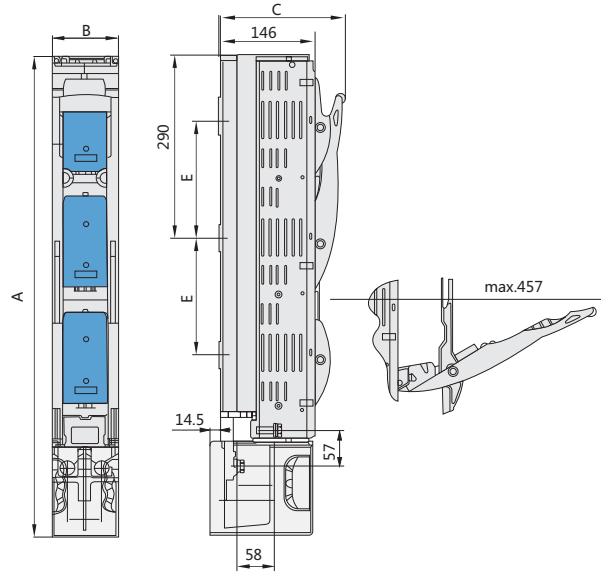
NHRT40-160 Simultaneous operation of three phases



NHRT40-250, 400, 630 Independent operation phase to phase

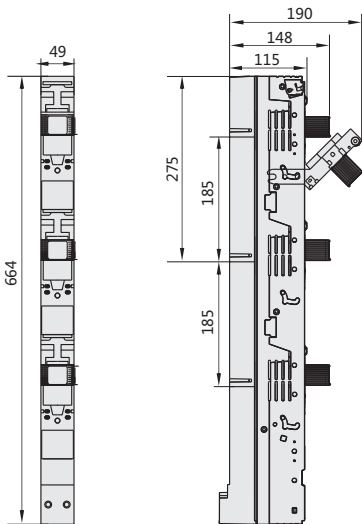


NHRT40-250, 400, 630 Simultaneous operation of three phases

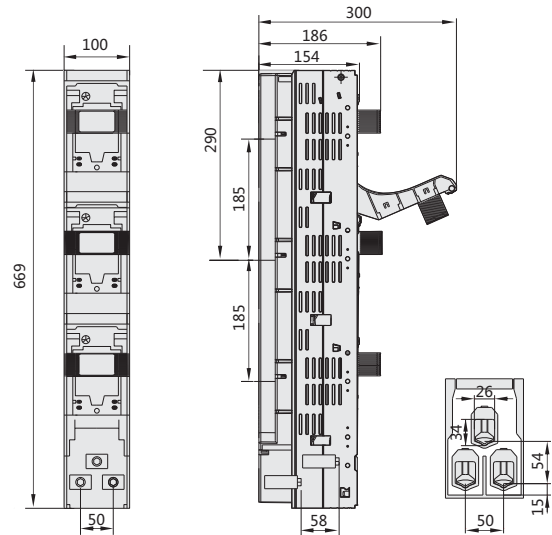


Model	A	B	C	D	E	F
NHRT40-160 Independent operation phase to phase	650	49	150	230	185	
NHRT40-160 Simultaneous operation of three phases	590	49	198	322	185	100
NHRT40-250, 400, 630 Independent operation phase to phase	764	99	195	300	185	
NHRT40-250, 400, 630 Simultaneous operation of three phases	764	99	195	457	185	

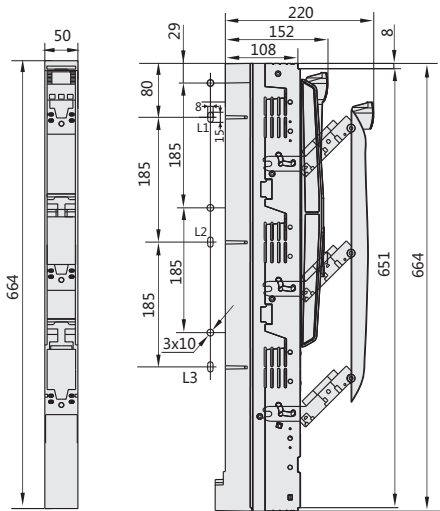
NHRT40-40-160/3N



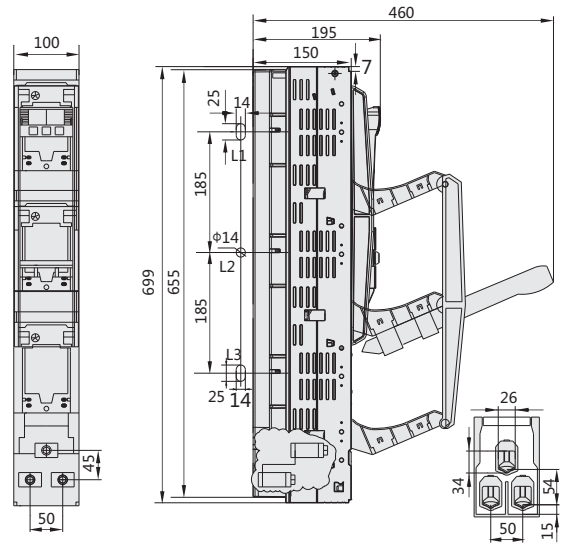
NHRT40-250-630/3N



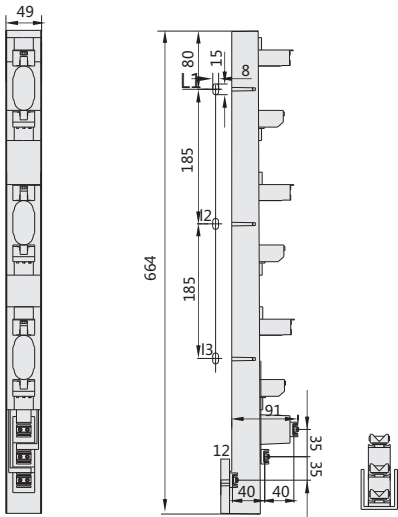
NHRT40-160/3LN



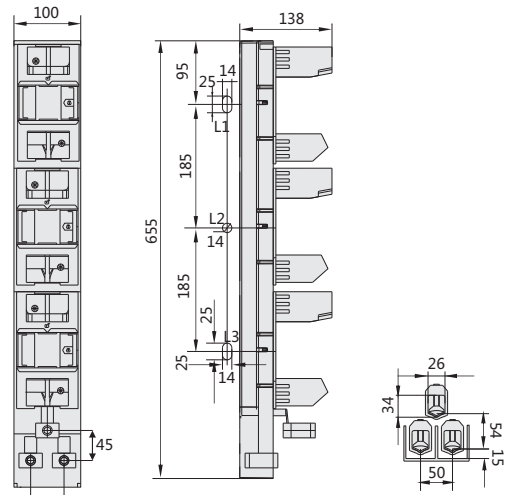
NHRT40-250-630/3LN



NHRT40-160/3B



NHRT40-250-630/3B



Changeover Switch

Thermal current	16, 32, 40, 63, 80, 100	125	160	200	250	315	400
HH15/QAS		HH15-125/QAS	HH15-160/QAS				HH15-400/QAS
HH15/QPS					HH15-250/QPS		
HH15/QSS	HH15-63/QSS	HH15-125/QSS	HH15-160/QSS		HH15-250/QSS		HH15-400/QSS
NH40S		NH40-125S	NH40-160S	NH40-200S	NH40-250S	NH40-315S	NH40-400S
NH40SZ	NH40-16, 32, 40, 63, 80, 100SZ	NH40-125SZ	NH40-160SZ	NH40-200SZ	NH40-250SZ	NH40-315SZ	NH40-400SZ

HH15/QAS



HH15/QPS



HH15/QSS



NH40S



NH40SZ



630	1000	1250	1600	2000	2500	3150
HH15-630/QAS	HH15-1000/QAS					
HH15-630/QPS	HH15-1000/QPS	HH15-1250/QPS	HH15-1600/QPS		HH15-2500/QPS	HH15-3150/QPS
HH15-630/QSS						
NH40-630S	NH40-1000S	NH40-1250S	NH40-1600S	NH40-2000S	NH40-2500S	NH40-3150S
NH40-630SZ	NH40-1000SZ	NH40-1250SZ	NH40-1600SZ			

