



# Datasheet

## Crystalline PV Module

### CHSM5409M Series

95

100

105

EN

#### ELECTRICAL SPECIFICATIONS

	95 Wp	100 Wp	105 Wp
STC rated output ( $P_{mpp}$ )*	95 Wp	100 Wp	105 Wp
PTC rated output ( $P_{mpp}$ )**	84.3 Wp	88.4 Wp	93.0 Wp
Standard sorted output		-0/+5 Wp	
Warranted power output STC ( $P_{mpp\ min}$ )	95 Wp	100 Wp	105 Wp
Rated voltage ( $V_{mpp}$ ) at STC	18.50 V	19.25 V	19.97 V
Rated current ( $I_{mpp}$ ) at STC	5.12 A	5.19 A	5.27 A
Open circuit voltage ( $V_{oc}$ ) at STC	22.50 V	22.77 V	23.02 V
Short circuit current ( $I_{sc}$ ) at STC	5.47 A	5.55 A	5.62 A
Module efficiency	14.3%	15.0%	15.8%
Rated output ( $P_{mpp}$ ) at NOCT	63.2 Wp	66.5 Wp	69.8 Wp
Rated voltage ( $V_{mpp}$ ) at NOCT	16.55 V	17.18 V	17.77 V
Rated current ( $I_{mpp}$ ) at NOCT	3.82 A	3.87 A	3.93 A
Open circuit voltage ( $V_{co}$ ) at NOCT	20.18 V	20.42 V	20.64 V
Short circuit current ( $I_{cc}$ ) at NOCT	4.15 A	4.22 A	4.27 A
Temperature coefficient ( $P_{mpp}$ )	-0.480%/K		
Temperature coefficient ( $I_{sc}$ )	+0.062%/K		
Temperature coefficient ( $I_{mpp}$ )	-0.022%/K		
Temperature coefficient ( $V_{mpp}$ )	-0.462%/K		
Temperature coefficient ( $V_{oc}$ )	-0.355%/K		
Normal operating cell temperature (NOCT)	48±2°C		
Maximum system voltage SCII		1000 V <sub>dc</sub>	
Maximum system voltage NEC		600 V <sub>dc</sub> / 1000 V <sub>dc</sub>	
Number of diodes		1	
Maximum series fuse rating		10 A	

\* Measurement tolerance +/- 3%  
 \*\* Estimated



## QUALIFICATION AND WARRANTIES

Product standard	UL 1703
Extended product warranty	10 years
Output warranty of 90% performance $P_{mpp}$ (STC)	10 years
Output warranty of 80% performance $P_{mpp}$ (STC)	25 years
MunichRe Warranty	25 years

## CELL TECHNOLOGY

Cell type	monocrystalline
Number of cells / cell arrangement	36 / 4 x 9
Cells dimension	5"

## MECHANICAL SPECIFICATIONS

Outer dimensions (L x W x H)	1200 x 554 x 35mm 47.24 x 21.81 x 1.38 in
Frame technology	Aluminum, silver anodized
Module composition	Glass / EVA / Backsheet (white)
Weight (module only)	9.5 kg / 20.9 lbs
Front glass thickness	3.2 mm / 0.13 in
Junction box IP rating	IP 65
Cable length / diameter (UL)	1000 mm / 39.37 in / 12 AWG
Maximum load capacity	5400 Pa
Fire class	C
Connector type	Multi Contact type 4 / MC type 4 compatible

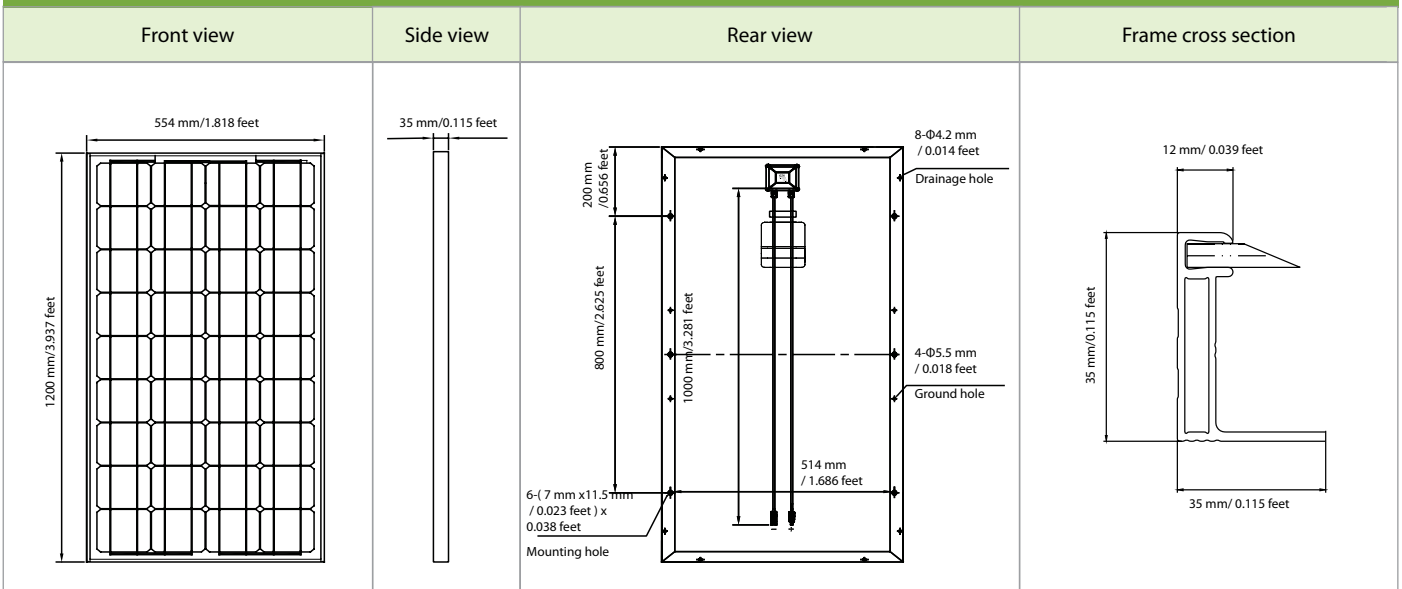
## MISCELLANEOUS

Packing unit	60 modules
Weight of packing unit	590 kg / 1298 lbs

## ARTICLE NUMBER (per panel)-CHSM5409M Series

Model	Article No. ((UL)
CHSM5409M-95	100012
CHSM5409M-100	100351
CHSM5409M-105	100352

## MODULE DIMENSION DETAILS



© Chint Solar (Zhejiang) Co., Ltd. All rights reserved.  
Specifications and designs included in this datasheet are subject to change without notice.