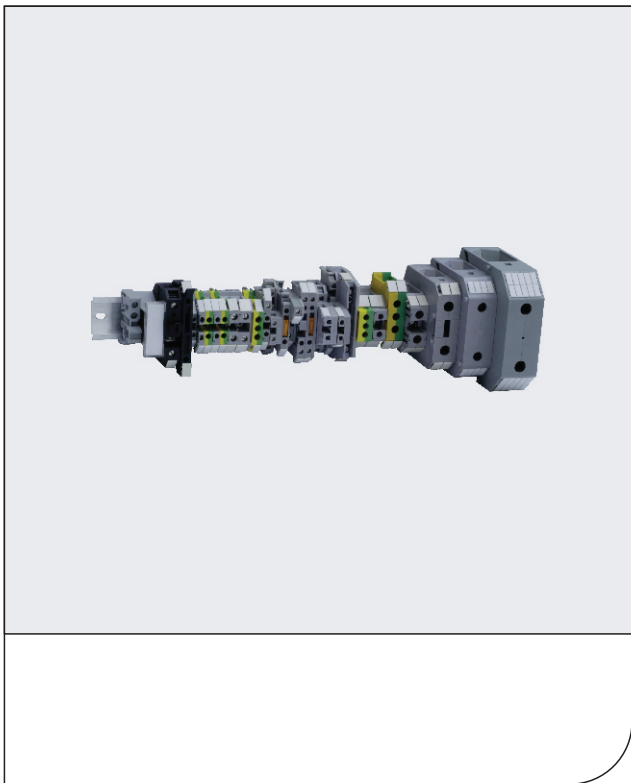


**JCUK Connection Terminal**

**1. General**

- 1.1 Electric ratings: Voltage up to 690V;
- 1.2 Rated cross section area of conductor: 150mm<sup>2</sup>.
- 1.3 Standard: IEC60947-7-1



JCUK-16N

JCUK-2.5N



JCUK-35N

JCUK-50H

JCUK-150H

JCUK-95H

JCUK-5N



JCUK-6N

JCUK-10RD

JCUK-3N

JCUK/DK4

JCUK-5RD



JCUK/K5

JCUK-3JD

JCUK-5JD

JCUK-10JD

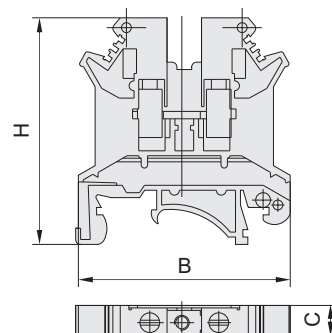
JCUK-10JD



JCUK-35JD

JCUK/S

JCUK-10N



## Connection Terminals

Serial number	Model	Overall dimension			Mounting rail
		B	C	H	
1	JUCK-2.5N	43	6.2	41	TH35/G32
2	JUCK-3N	43	5.2	46	TH35/G32
3	JUCK-5N	43	6.2	46	TH35/G32
4	JUCK-6N	43	8.2	47	TH35/G32
5	JUCK-10N	43	10.2	47	TH35/G32
6	JUCK-16N	42.5	12	46	TH35/G32
7	JUCK-35N	51	15.2	61	TH35/G32
8	JUCK-50H	72.5	21	74	TH35/G32
9	JUCK-95H	85	25.2	91	TH35/G32
10	JUCK-150H	101.5	31	112	TH35/G32
11	JUCK/S	61	8.2	58.5	TH35/G32
12	JUCK/K5	57	6.2	62	TH35/G32
13	JUCK/DK4	63.5	6.2	47	TH35/G32
14	JUCK-3JD	42.5	5.2	42	TH35/G32
15	JUCK-5JD	42.5	6.2	47	TH35/G32
16	JUCK-10JD	42.5	8.2	47	TH35/G32
17	JUCK-16JD	42.5	12.2	52	TH35/G32
18	JUCK-35JD	42.5	15	47	TH35/G32
19	JUCK-5RD	72.5	8.2	56.5	TH35/G32
20	JUCK-10RD	64	12	51.5	TH35/G32
21	JUCK/GD				TH35/G32
22	JUCK/BJ				
23	JUCK/DB	As per product specifications			