

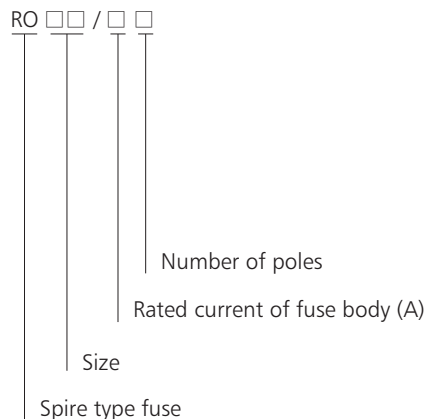


RO21、RO22、RO24、RO26 Spire Type Fuse

1. General

- 1.1 Application: For protection of components of power distribution, cables and conductors against over-load and short circuit;
- 1.2 Standard: IEC60269

2. Type Designation



3. Technical Data

Model	E16/RO24(27、28、29)	E27/RO21(RL6-25)	E33/RO22(RL6-63)
Rated voltage	~500V	~500V	~500V
Rated current of fuse	25A	25A	25A
Rated current of fuse body	2, 4, 6, 10, 16, 20, 25A	2, 4, 6, 10, 16, 20, 25A	35, 40, 50, 63A
Rated making & breaking capacity	50kA cos φ =0.1~0.2	50kA cos φ =0.1~0.2	50kA cos φ =0.1~0.2
Weight	0.15kg	0.20kg	0.35kg

3.1 3P

Specifications	FB21(3J)	FB22(3J)
Rated voltage	~500V	~500V
Rated current of fuse	3×25A	3×63A
Rated current of fuse body	2, 4, 6, 10, 16, 20, 25A	35, 40, 50, 63A
Rated making & breaking capacity	50kA	50kA
Power factor cos φ	0.1~0.2	0.1~0.2
Weight	0.61kg	0.85kg

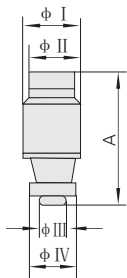
3.2 E18/RO26

Specifications	D01	D02
Rated voltage	400(380)V	400(380)V
Rated current of fuse	16A	63A
Rated current of fuse body	2, 4, 6, 10, 16, 20, 25, 35, 40, 50, 63A	
Rated making & breaking capacity	50kA cos φ =0.1~0.2	50kA cos φ =0.1~0.2
Weight	0.11kg	0.15kg

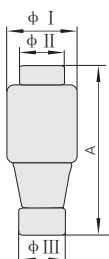
Fuses

4. Overall and Mounting Dimensions

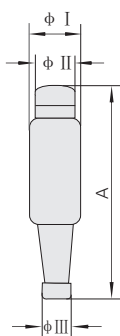
4.1 Fuse body dimension



Model	A	ϕ I	ϕ II	ϕ III
RO21-2, 4, 6A	50	21	14	6
RO21-8, 10A	50	21	13	8
RO21-16A	50	21	13	10
RO21-20A	50	21	13	12
RO21-25A	50	21	13	14
RO22-35, 40A	50	26	20	16
RO22-50A	50	26	20	18
RO22-63A	50	26	20	20



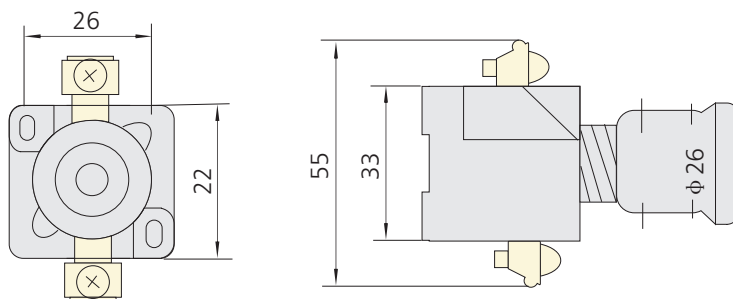
Model	A	ϕ I	ϕ II	ϕ III	ϕ IV
RO26-2~10A	35	12	10	5	7
RO26-16A	38	12	10	5	9
RO26-20A	38	15	13.5	9	11
RO26-25A	38	15	13.5	9	12
RO26-35A	38	15	13.5	9	13
RO26-50A	38	15	13.5	9	14
RO26-63A	38	15	13.5	9	16



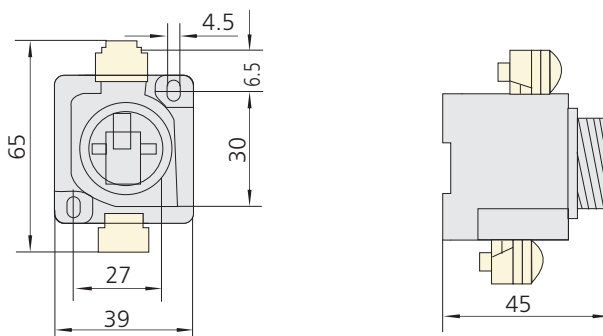
Model	A	ϕ I	ϕ II	ϕ III
RO24-2A	50	12.5	11.3	6
RO24-4A	50	12.5	11.3	6
RO24-6A	50	12.5	11.3	6
RO24-10A	50	12.5	11.3	8
RO24-16A	50	12.5	11.3	10
RO24-20A	50	12.5	11.3	12
RO24-25A	50	12.5	11.3	12
RO27	50	12.5	11.5	8
RO28	50	12.5	11.5	10
RO29	50	12.5	14	11.5

4.2 Dimension of fuse holder

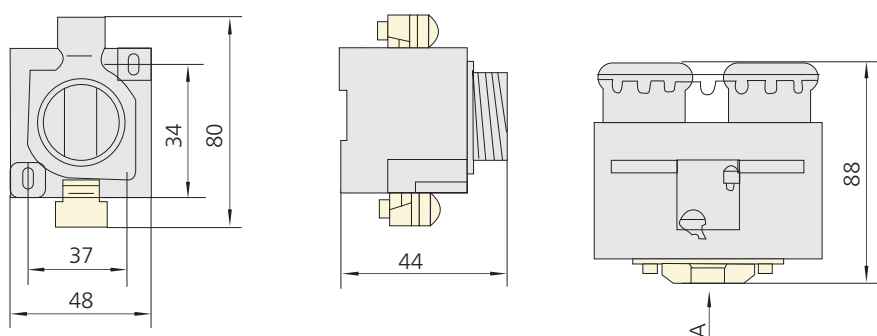
E16/RO24(27, 28, 29)



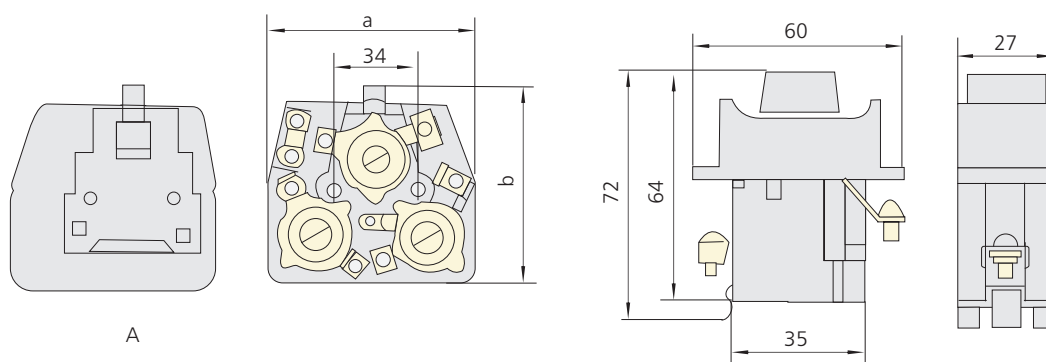
E17/RO21



E33/RO22



E18/RO26-2~63A(D01、D02)



	a	b
FB21(3J)3×25	90	86
FB22(3J)3×63	105	100