



Datasheet

Crystalline PV Module

CHSM6608M Series

190 195 200 205 210

EN

ELECTRICAL SPECIFICATIONS

	190 Wp	195 Wp	200 Wp	205 Wp	210 Wp
STC rated output (P_{mpp})*	190 Wp	195 Wp	200 Wp	205 Wp	210 Wp
PTC rated output (P_{mpp})**	169.2 Wp	173.7 Wp	178.3 Wp	182.9 Wp	187.5 Wp
Standard sorted output	-0/+5 Wp				
Warranted power output STC ($P_{mpp\ min}$)	190 Wp	195 Wp	200 Wp	205 Wp	210 Wp
Rated voltage (V_{mpp}) at STC	23.62 V	24.00 V	24.34 V	24.68 V	25.01 V
Rated current (I_{mpp}) at STC	8.07 A	8.16 A	8.26 A	8.34 A	8.43 A
Open circuit voltage (V_{oc}) at STC	30.22 V	30.35 V	30.53 V	30.61 V	30.76 V
Short circuit current (I_{sc}) at STC	8.58 A	8.61 A	8.66 A	8.71 A	8.75 A
Module efficiency	14.3%	14.7%	15.1%	15.4%	15.8%
Rated output (P_{mpp}) at NOCT	137.7 Wp	141.3 Wp	144.9 Wp	148.6 Wp	152.2 Wp
Rated voltage (V_{mpp}) at NOCT	21.04 V	21.36 V	21.64 V	21.97 V	22.27 V
Rated current (I_{mpp}) at NOCT	6.54 A	6.62 A	6.70 A	6.76 A	6.84 A
Open circuit voltage (V_{oc}) at NOCT	27.50 V	27.62 V	27.78 V	27.86 V	27.99 V
Short circuit current (I_{sc}) at NOCT	7.08 A	7.11 A	7.15 A	7.19 A	7.22 A
Temperature coefficient (P_{mpp})	- 0.469%/K				
Temperature coefficient (I_{sc})	+0.035%/K				
Temperature coefficient (I_{mpp})	- 0.042%/K				
Temperature coefficient (V_{mpp})	- 0.433%/K				
Temperature coefficient (V_{oc})	- 0.328%/K				
Normal operating cell temperature (NOCT)	47±2°C				
Maximum system voltage SCII	1000 Vdc				
Maximum system voltage NEC	600 Vdc / 1000 Vdc				
Number of diodes	6				
Maximum series fuse rating	15 A				

* Measurement tolerance +/- 3%
 ** Estimated



QUALIFICATION AND WARRANTIES

Product standard	IEC 61215, 61730 / UL 1703
Extended product warranty	10 years
Output warranty of 90% performance P_{mpp} (STC)	10 years
Output warranty of 80% performance P_{mpp} (STC)	25 years
MunichRe Warranty	25 years

CELL TECHNOLOGY

Cell type	monocrystalline
Number of cells / cell arrangement	48 / 6 x 8
Cells dimension	6"

MECHANICAL SPECIFICATIONS

Outer dimensions (L x W x H)	1336 x 994 x 40 mm 52.60 x 39.13 x 1.57 in
Frame technology	Aluminum, silver anodized
Module composition	Glass / EVA / Backsheet (white)
Weight (module only)	15.5 kg / 34.1 lbs
Front glass thickness	3.2 mm / 0.13 in
Junction box IP rating	IP 65
Cable length / diameter (UL)	1000 mm / 39.37 in / 12 AWG
Cable length / diameter (IEC)	1000 mm / 39.37 in / 4 mm ²
Maximum load capacity	5400 Pa
Fire class	C
Connector type (UL)	Multi Contact type 4 / MC type 4 compatible
Connector type (TUV)	MC type 4 compatible

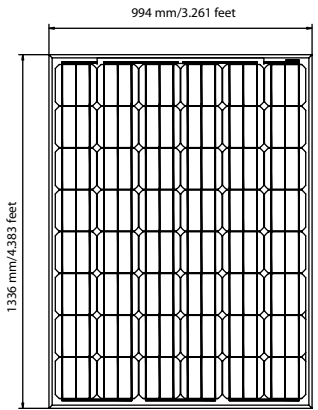
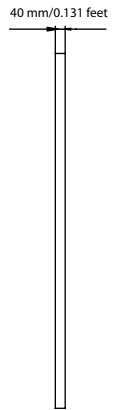
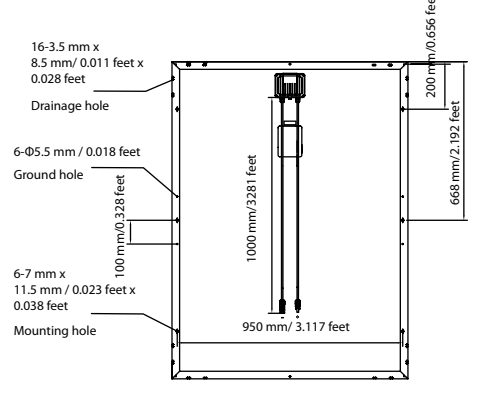
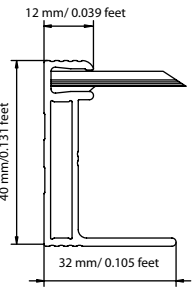
MISCELLANEOUS

Packing unit	25 modules
Weight of packing unit	448 kg / 986 lbs

ARTICLE NUMBER (per panel)-CHSM6608M Series

Model	Article No. (IEC)	Article No. (UL)
CHSM6608M-190	100341	100346
CHSM6608M-195	100342	100347
CHSM6608M-200	100343	100348
CHSM6608M-205	100344	100349
CHSM6608M-210	100345	100350

MODULE DIMENSION DETAILS

Front view	Side view	Rear view	Frame cross section
			

© Chint Solar (Zhejiang) Co., Ltd. All rights reserved.
Specifications and designs included in this datasheet are subject to change without notice.