

Analog panel meters

85、69 series panel meter



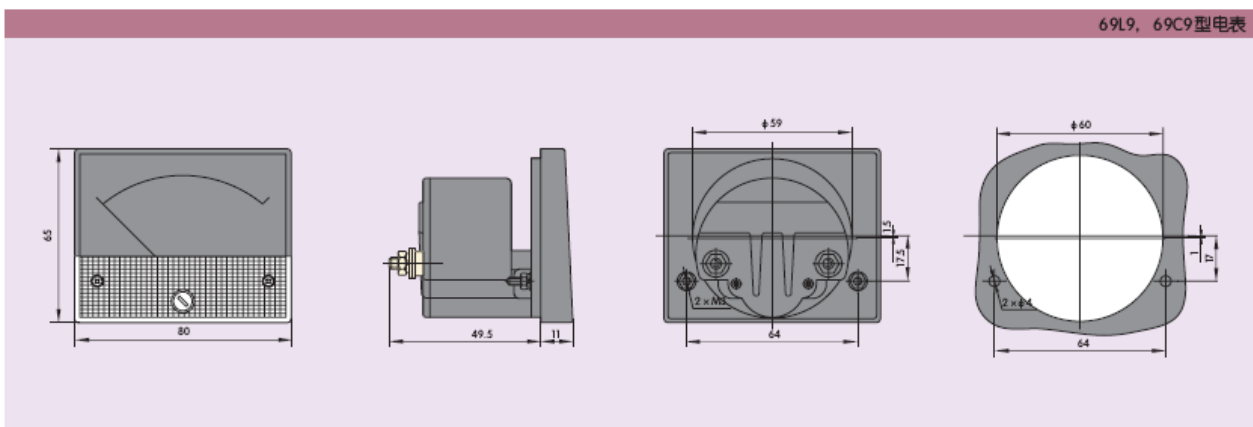
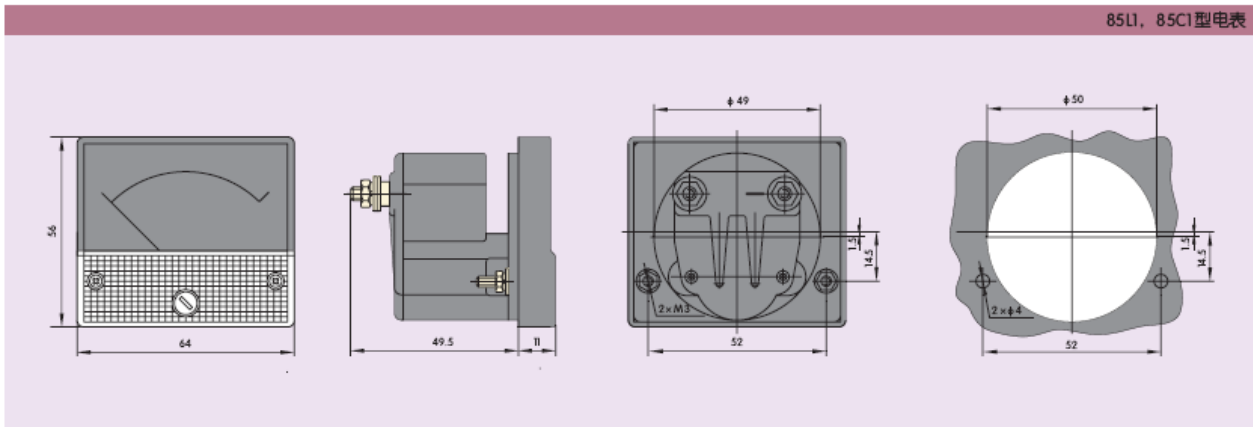
1 Main structure and work principle

85、69 series panel meters consist of measuring circuit, measuring mechanism and indicating device, adopting inner magnetic electricity structure. With bakelite case and printing dial & transparent glass cover, the whole looks beautiful and provides an open view.

2 Main technical parameters

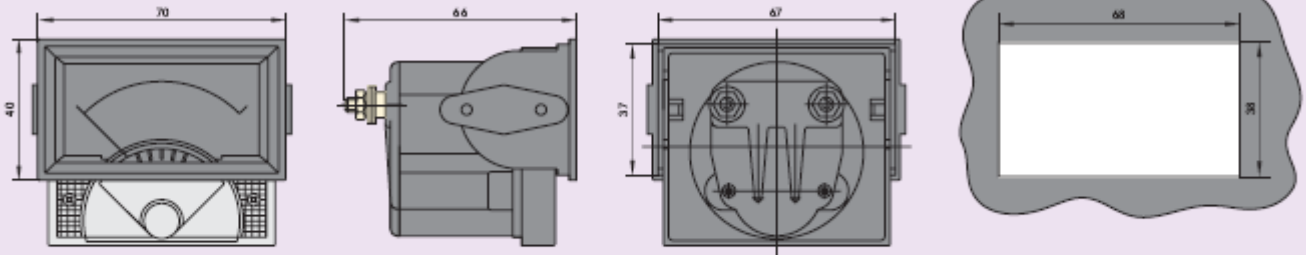
Product Name	Specification	Measuring Range	Accuracy Class
DC Ammeter	85C1-A 69C9-A 85C17-A	50 μ A~20A (direct)	Class 2.5
		20A~10kA*/60mV*/75mV (external device)	
DC Voltmeter	85C1-V 69C9-V 85C17-V	5V~750V (direct)	Class 2.5
		450V~450kV*/1mA*/5mA (external device)	
AC Ammeter	85L1-A 85L17-A 69L9-A 69L17-A 69L13-A	50mA~50A (direct)	Class 2.5
		5A~10kA*/5A*/1A (external device)	
AC Voltmeter	85L1-V 85L17-V 69L9-V 69L17-V 69L13-V	15V~600V (direct)	Class 2.5
		380V~450kV*/100V (external device)	
Frequency Meter	85L1-Hz 69L9-Hz 69L13-Hz	45~55Hz, 45~65Hz, 55~65Hz etc. Rated voltage 100V 220V 380V	Class 1.0
Power Meter Varmeter	85L1-W/var 69L9-W/var	100V, 220V, 380V~380kV/100V	Class 2.5
		5A, 5A~10kA/5A (external device)	
3-phase Power Factor Meter	85L1-cos ϕ 69L9-cos ϕ	0.5C~1~0.5L 100V 5A, 380V 5A	Class 2.5

3 Outline and installation dimension



Analog panel meters

85U17, 85C17型电表



69U17, 69C17型电表

