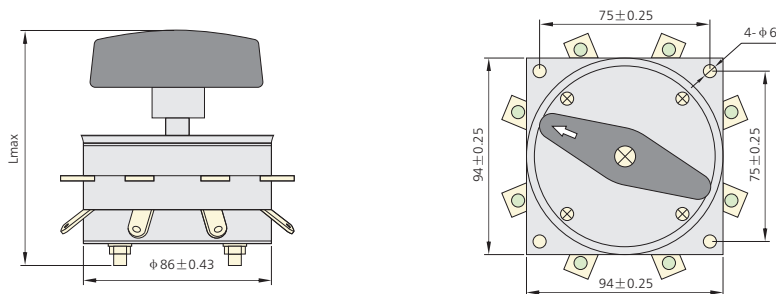
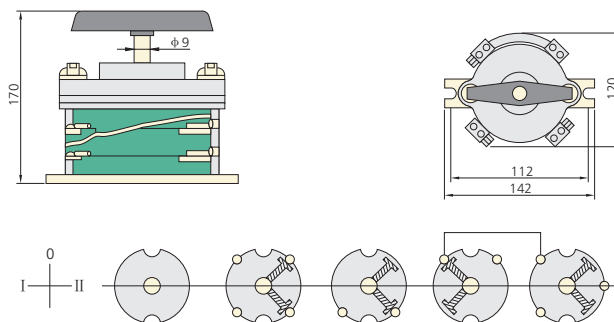


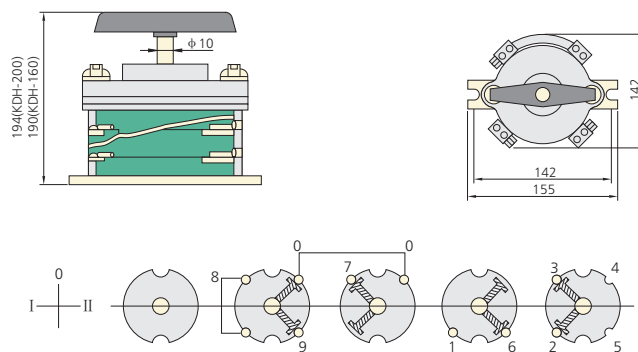
KDH-63



KDH-125A

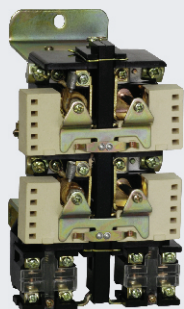


KDH-160A, KDH-200A



Model	Lmax	Note
KDH-25	63+13n	n stands for sessions
KDH-40	70+13.5n	
KDH-63	72+17n	

CZ0 DC Contactor

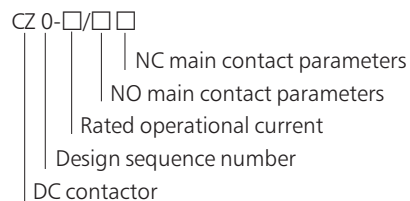


CZ0 DC contactor

1. General

- 1.1 Electric ratings: DC440V, 600A;
- 1.2 Application: making & breaking DC circuits and control DC motors;
- 1.3 Standards: IEC60947-4-1

2. Type Designation



3. Technical Data

3.1 Breaking capacity of contact under rated voltage

Model	Number of poles	Number of main contact	Number of main contact	Breaking current (A)	Number of auxiliary contact	Number of NC contactor	Arcing distance (mm)
CZ0-40C	2P	2	-	100	-	-	50
CZ0-40CA	2P	2	-	160	2	2	50
CZ0-40/20	2P	2	-	160	2	2	50
CZ0-40/02	-	-	2	160	2	2	50
CZ0-100/10	1P	1	-	400	2	2	70
CZ0-100/01	-	-	1	250	2	2	70
CZ0-100/20	2P	2	-	400	2	2	70
CZ0-150/10	1P	1	-	600	2	2	100
CZ0-150/01	-	-	1	375	2	2	100
CZ0-150/20	2P	2	-	600	2	2	100
CZ0-250/10	1P	1	-	1000	3	3	120
CZ0-250/20	2P	2	-	1000	3	3	120
CZ0-400/10	1P	1	-	1600	3	3	150
CZ0-400/20	2P	2	-	1600	3	3	150
CZ0-600/10	1P	1	-	2400	3	3	180