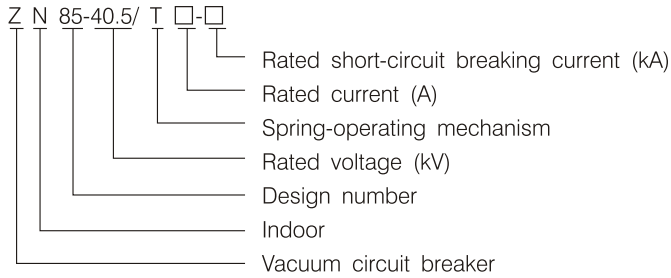


ZN85-40.5(3AV3) Vacuum Circuit Breaker, Indoor Type

1. General

- 1.1 Ratings: voltage up to 35kV, current up to 2000A, AC50Hz.
- 1.2 Application: for the control and protection of substation and equipments. Making and breaking short-circuit current under various operating status of electric network.
- 1.3 Standard: IEC62271-100

2. Type and Interpretation



3. Working Condition

- 3.1 Ambient air temperature: -15~+40°C
- 3.2 Altitude: ≤1000m
- 3.3 No operating in such places as subject to dust, smog, corrosive/flammable gas, vapor and salt pollution.
- 3.4 Humidity: Daily average value ≤95%
Monthly average value ≤90%
- 3.5 Water vapor pressure: Daily average value ≤2.2kPa
Monthly average value ≤1.8kPa
- 3.6 The external shocking and earthquake could be neglected.
- 3.7 The amplitude of electromagnetic interference in the secondary system ≤1.6kV.

※ Note:

- 1. Customized products for other special working conditions are available on your requirements.
- 2. We have developed products suitable for high altitude.

4. Main Technical Parameter

Item	Data
Rated voltage	kV 40.5
Rated insulation level	1min power frequency withstand voltage (virtual) kV 95
	Rated lightning impulse withstand voltage (virtual) kV 185
Rated current	A 630 1250 1600 2000
Rated frequency	Hz 50
Rated short-time withstand current	kA 20 25 31.5
Rated withstand current (peak)	kA 50 63 80
Rated short-circuit breaking current	kA 20 25 31.5
Rated short-circuit making current (peak)	kA 50 63 80
Rated duration of short-circuit	s 4
Rated operating sequence	O-0.3s-CO-180s-CO
Breaking time	ms <80
Breaking times of rated short-circuit making current	Times 20
Rated capacitor bank breaking current	A 400
Mechanical life	Times 10000
Rated operating voltage	V -110/~110, -220/~220

6 Overall and Installation Dimension

Fig.1 Trolley type circuit breaker ZN85-40.5

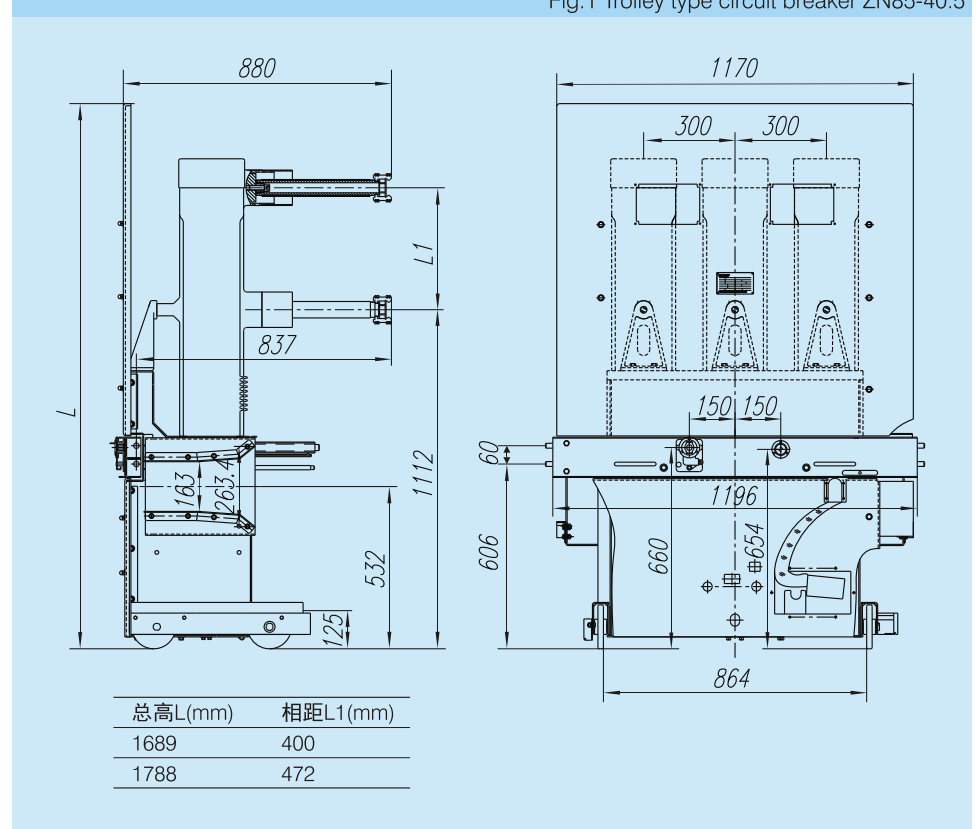


Fig.2 Side-mounted circuit breaker ZN85-40.5

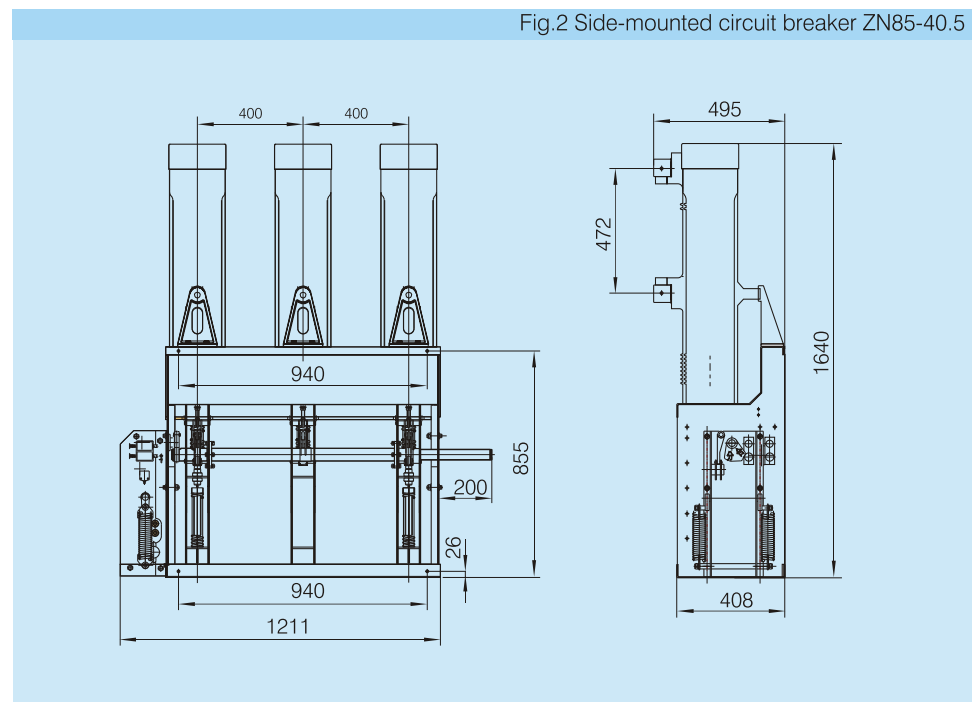
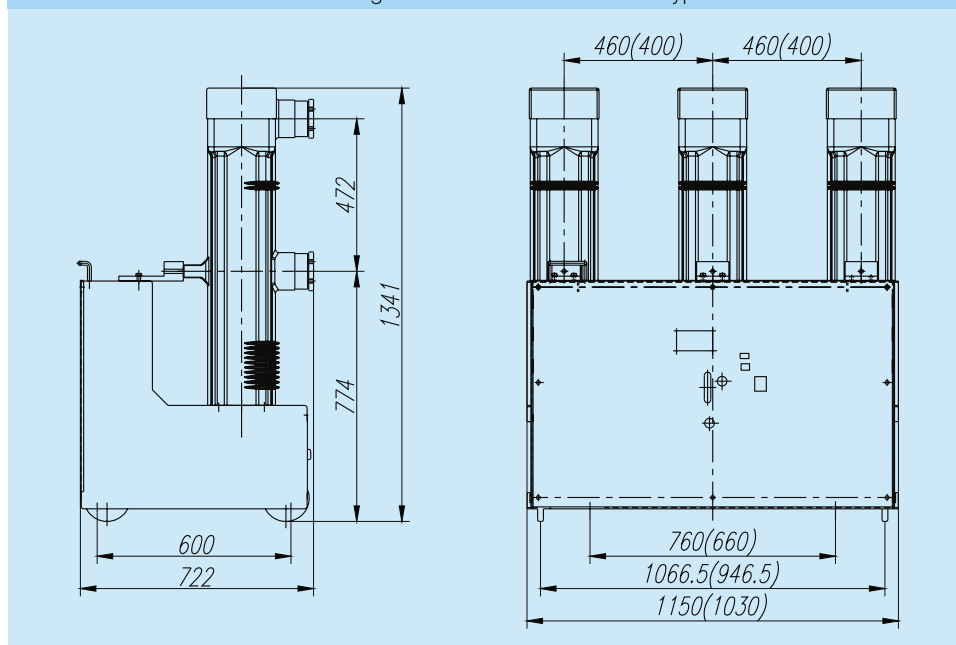


Fig.3 Overall dimension of fixed type circuit breaker ZN85-40.5



7. Ordering Information

Please indicate the following items when order:

- 6.1 Type, name and quantity.
 - 6.2 Rated voltage, rated current and rated short-circuit breaking current.
 - 6.3 Rated operating voltage.
 - 6.4 Name and quantity of spare parts.
- ※ Customized products are available per your requirements.